

MODELS ODD110

Description

- The ODD Universal Series offers one fan that is capable of producing 5 different CFM's 80 to 140 cfm (Adjustable Variable Speed from 30cfm to 140 cfm).
- All five fan speeds have been factory set to meet the performances noted on the fan chart.
- The fan performance can be simply changed by adjusting the built in fan slide shift controls.
- It comes with a low speed feature that has a built in speed/controller that is designed to run continuously 24 hour a day to meet the local building codes.
- When the fan is turned off it has a built in time delay that can be set between 3 to 30 minutes.
- This allow the fan to run for an extra few minutes to make sure all the stale air has been removed.
- The ODD Universal Series can be ceiling or wall mounted and capable of exhausting air quietly and efficiently.
-
- It also carries a cETLus evaluation which conforms to UL and cUL safety standards.

Housing

- Made of rugged 26 GA galvanized steel
- Durable attached metal collar with light weight aluminum damper. Incorporates a 5-4 inch universal step down connection which allows the designer to select the pipe diameter of his choice.
- Heavy duty triple point mounting brackets can be adjusted up to 24 inch joist centers without vibration.

Motor/Blower

- Totally enclosed brushless DC motor technology. More energy efficient than the minimum
- Power rating should be 120 volts and 60 Hz
- Fan shall be ETL and cETL listed for tub/shower enclosure when used with a GFCI branch circuit.
- Motor comes with a built in overload disconnect for safety and longer motor life.
- Operates at lower RPM's to give you quieter operation.

Grille

- The Premium grille is low profile that has elegance and still able to maintain its simplicity.
- Made of a rugged polymeric resin that's known for its long life durability.
- Comes with torsion spring clips that helps mount grille evenly.

Typical specification

- Ventilating fan shall be of the ceiling mount, ENERGY STAR rated type, with variable speed of 80-140 CFM and <0.5 sone as certified by the Home Ventilating Institute (HVI) at 0.1 static pressure in inches water gauge.
- The slide shift control will adjust the fan speed setting from 80 to 140 CFM.
- Power consumption shall be no greater than 10.6 watts
- The motor shall be totally enclosed with brushless DC motor engineered to run continuously.
- Power rating shall be 120v/60Hz.

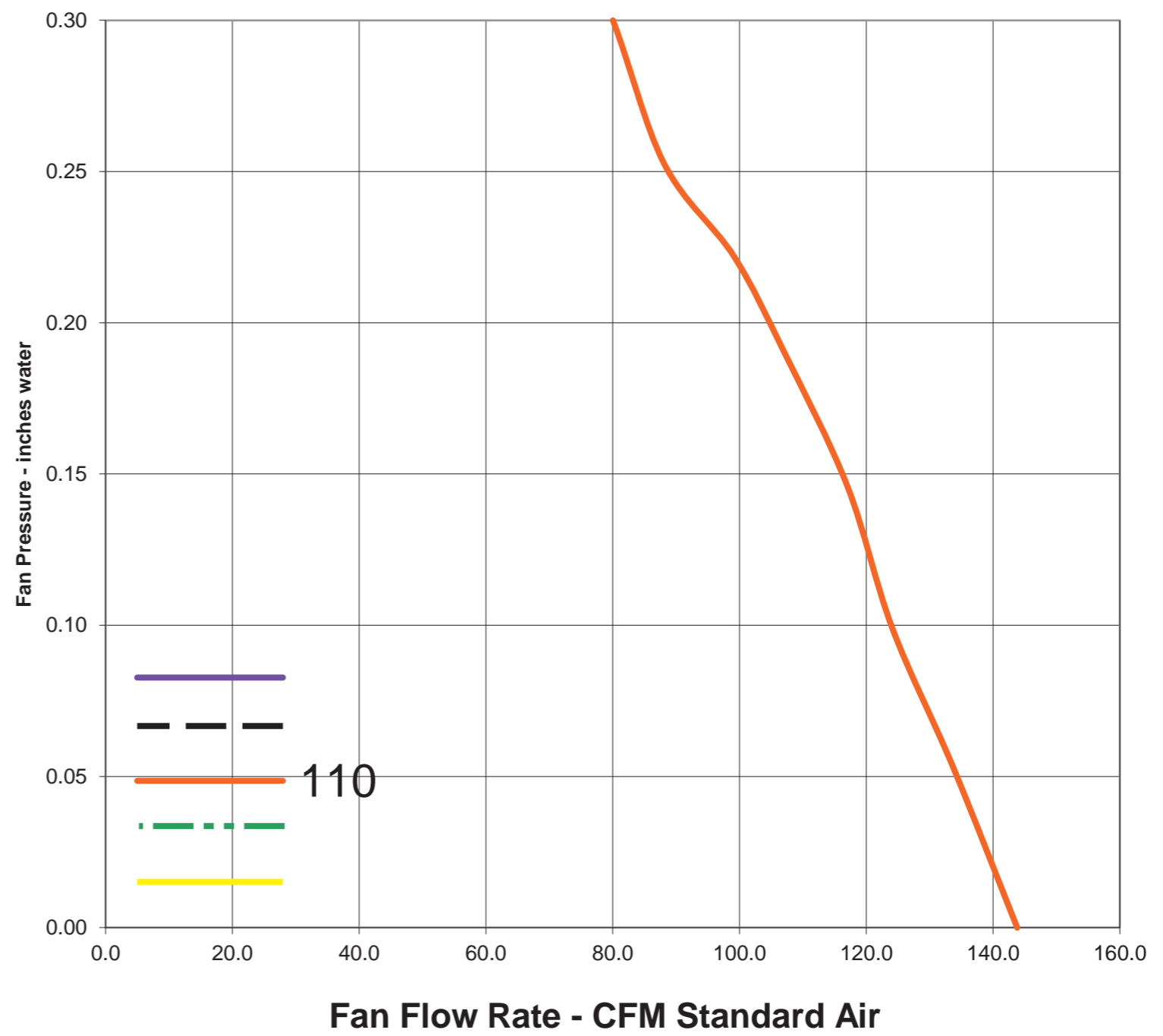
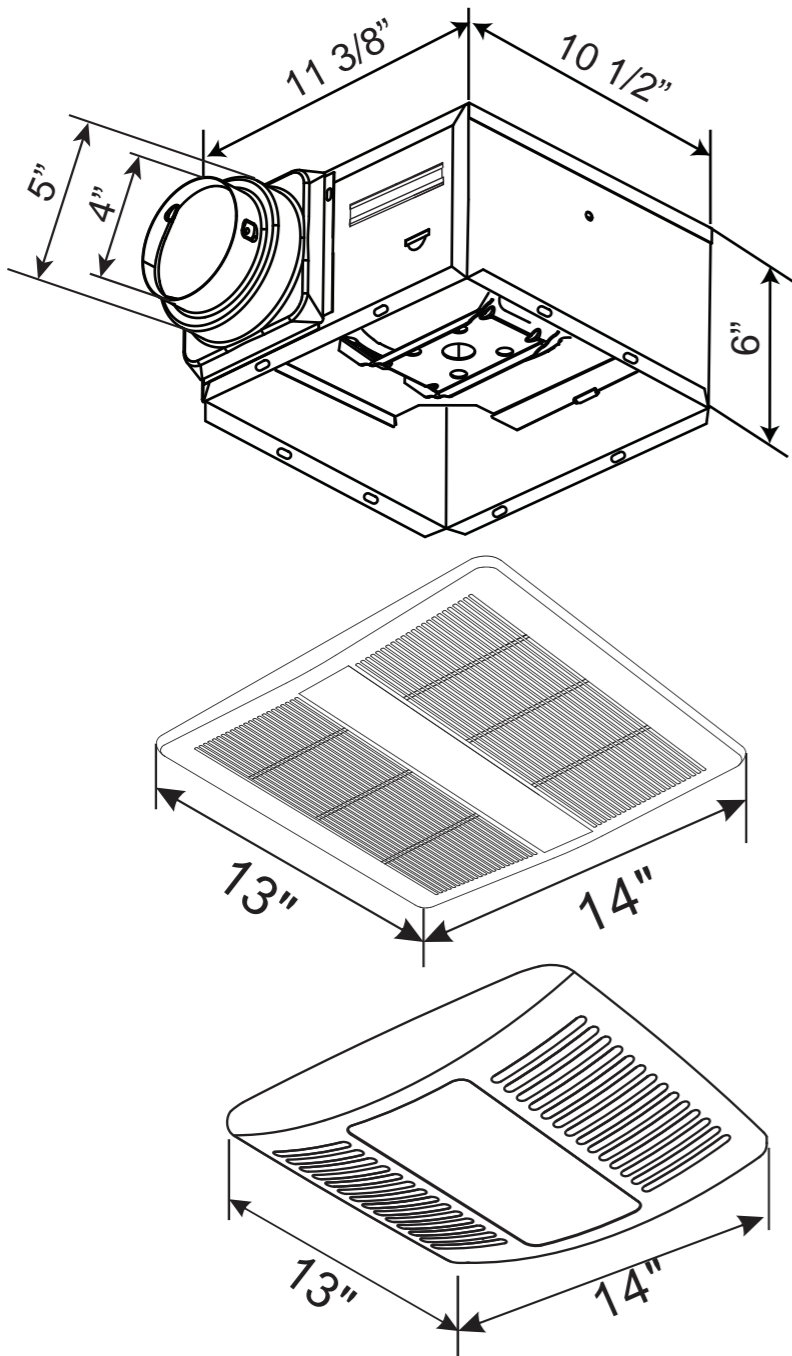


Options:

1. Light
2. Motion Sensor
3. Humidistat
4. Metal Grille

MODELS ODD110

Model Number	ODD110							
Static Pressure in inches w.g.	0.1							
Air Volume (CFM)	80	90	110	120	90	110	120	140
Noise (sones)	0.7	0.7	1.0	1.2	0.3	0.6	0.8	1.1
Fan Watts	5.5W	7W	11.5W	13W	5.5W	10W	11.5W	14.5W
Duct Diameter	4"				5"			
Power Rating (V/Hz)	120/60							



Reference	QTY.	Remarks	Project:
			Location:
			Architect:
			Engineer:
			Contractor:
			Submitted by:
			Date:

ORTECH INDUSTRIES INC.

13376 Comber Way,
Surrey, BC, V3W 8V4
Canada
Phone: 1-888-543-6473



www.ortechindustries.com

CERTIFICATIONS

