

ORTECH

Plumbing

ORTECH

Ortech Industries Inc

604 543 6473 TEL 1 888 543 6473

604 599 6201 FAX 1 888 541 6474

WWW.ORTECHINDUSTRIES.COM



Version 5.1

ORTECH

PLUMBING BOOK



Toilets	1
Kitchen Faucets	5
Lavatory Faucets	7
Wash Basins	9
Stainless Steel Sinks	12

Thank you for taking the time to browse ORTECH's latest line up of plumbing products. While you may be surprised that this catalogue is much smaller than in past years, let me assure you that almost all of your favorites will still be included inside! We have streamlined our product line-up to continue our commitment to sleek, stylish and project friendly pieces. In eliminating the less popular styles, we are able to keep your customer's favorite pieces as affordable as possible! Take a peek inside; you will find some old favorites, and some new designs that will be sure to catch the eye of prospective customers.



Toilets

ORTECH toilets are affordable, come in a variety of styles, and provide exceptional flushing performance using only 4.8 liters per flush (1.28 gallons per flush). They are made of vitreous china and come with a sleek white finish.

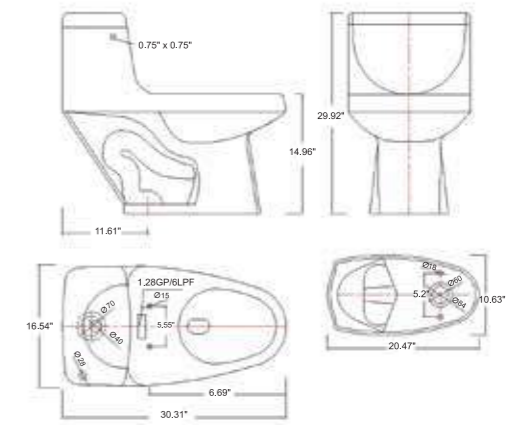


According to WaterSense®, toilets are often the main source of water consumption in the home, accounting for up to 30 percent of an average home's indoor water use. Older and more inefficient toilets can use as much as 12 liters per flush and contribute to a staggering amount of wasted water every year.

Recent advancements have allowed toilets to use 4.8 liters per flush (1.28 gallons per flush) while still providing equal or superior performance to older models.

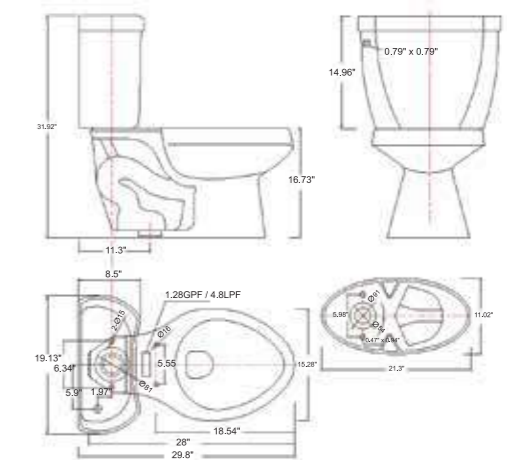
By replacing old, inefficient toilets with ORTECH ones, the average family can reduce water used for toilets by 20 to 60 percent—that's nearly 50 000 liters of water savings for your home every year!

RC-0020LO



- One piece toilet with elongated bowl
- High efficiency 4.8 LPF (1.28 GPF) single flushing system
- Includes slow close seat cover, wax ring and braided water supply line
- ADA compliant
- White vitreous China

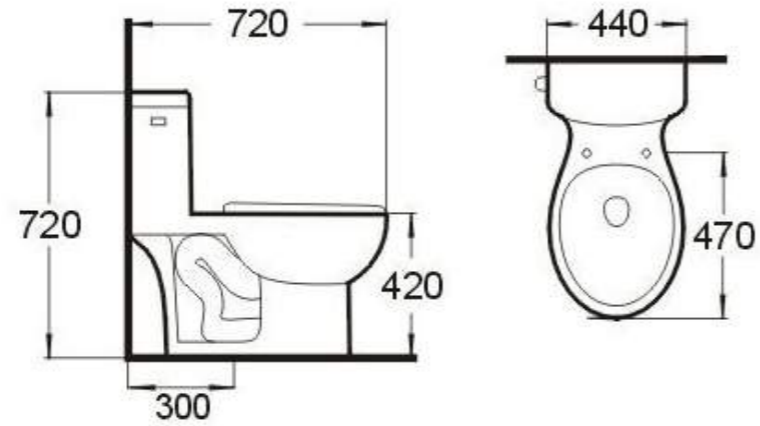
RC-0027LOS



- Two piece toilet with elongated bowl
- High efficiency 4.8 LPF (1.28 GPF) single flushing system
- Includes slow close seat cover, wax ring and braided water supply line
- ADA compliant
- White vitreous China

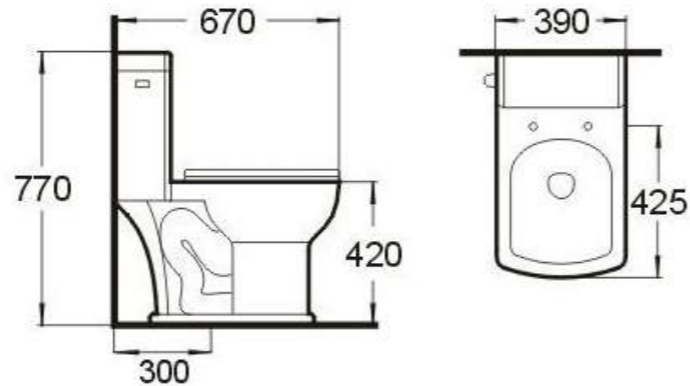
Toilets

RC-T103



- Siphonic One-piece
- Single flush flushing system, side flush chrome trip lever
- High Efficiency 4.8 LPF(1.28 GPF)
- Includes slow close seat cover, wax ring
- 28.3" x 17.32" x 28.3"
- Standard 12"(305mm) rough in
- ADA compliant(When installed with trip level located on the approach side)
- One year Limited Warranty

RC-T105



- Siphonic One-piece
- Single flush flushing system, side flush chrome trip lever
- High Efficiency 4.8 LPF(1.28 GPF)
- Includes slow close seat cover, wax ring
- 26.37" x 15.35" x 30.31"
- Standard 12"(305mm) rough in
- ADA compliant(When installed with trip level located on the approach side)
- One year Limited Warranty

Bidets

Why use a bidet? Bidets are increasingly popular in North America for several reasons: They are easy to use, cost effective, more hygienic than toilet paper, gentle on your skin and good for the environment.

T-3200-30



- Bidet spray
- Cold water with adjustable nozzle
- No electricity required

T3200-40



- Bidet spray
- Warm and cold water with adjustable nozzle
- No electricity required

F1-K7579CH

* Single handle pull down kitchen faucet



- Single lever premium kitchen faucet with pull out spout and spray button
- Available in polished chrome finish
- Single hole mount (optional escutcheon for 8" centerset sold separately F-COVER1)
- Ceramic disc cartridge
- braided stainless steel supply lines included
- cUPC certified

F8-E1920CH

* Single handle pull down kitchen faucet



- Single lever economy kitchen faucet
- Available in polished chrome finish
- Single hole mount with escutcheon for 8" centerset
- Ceramic disc cartridge
- Braided stainless steel supply lines included
- cUPC certified
- Replaced F8-E1919CH

F8-K7600CH

* Single handle pull down kitchen faucet



- Single lever premium bar faucet
- Available in polished chrome finish
- Single hole mount (optional escutcheon for 8" centerset sold separately F-COVER1)
- Ceramic disc cartridge
- braided stainless steel supply lines included
- cUPC certified

F1-K7700CH

* Single handle pull down kitchen faucet



- Single lever premium kitchen faucet with pull out spout and spray button
- Available in polished chrome finish
- Single hole mount (optional escutcheon for 8" centerset sold separately F-COVER1)
- Ceramic disc cartridge
- braided stainless steel supply lines included
- cUPC certified
- Replaced F1-K7749CH

FCOVER1

Description: 8inch cover plate for single hole kitchen faucet



- Optional escutcheon for 8" centerset

F1-K8554CH * Single handle pull down kitchen faucet



- Single lever lavatory faucet
- Available in polished chrome finish
- Single hole mount (optional escutcheon for 4" centerset sold separately F-COVER4)
- Ceramic disc cartridge
- Pop-up drain assembly and braided stainless steel supply lines included
- cUPC certified
- Replaced F1-K8553CH



F1-K7774CH * Single handle pull down kitchen faucet



- Single lever lavatory faucet
- Available in polished chrome finish
- Single hole mount (optional escutcheon for 4" centerset sold separately F-COVER4)
- Ceramic disc cartridge
- Pop-up drain assembly and braided stainless steel supply lines included
- cUPC certified
- Replaced F1-K7773CH



F1-K8884CH * Single handle pull down kitchen faucet



- Single lever lavatory faucet
- Waterfall design
- Available in polished chrome finish
- Single hole mount (optional escutcheon for 4" centerset sold separately F-COVER4)
- Ceramic disc cartridge
- Pop-up drain assembly and braided stainless steel supply lines included
- cUPC certified
- Replaced F1-K8883CH



F1-K8444CH * Single handle pull down kitchen faucet



- Single handle lavatory faucet with color changing LED spout
- Available in polished chrome finish
- Single hole mount (optional escutcheon for 4" centerset sold separately F-COVER4)
- Ceramic disc cartridge
- Braided stainless steel supply lines included
- cUPC certified



F1-K8904CH * Single handle pull down kitchen faucet



- Single handle lavatory faucet with waterfall spout design
- Available in polished chrome finish
- Single hole mount (optional escutcheon for 4" centerset sold separately F-COVER4)
- Ceramic disc cartridge
- Braided stainless steel supply lines included
- cUPC certified



F4-E1110CH * Single handle pull down kitchen faucet



- Single handle lavatory faucet
- Available in polished chrome finish
- 4" center-set mount
- Ceramic disc cartridge
- Braided stainless steel supply lines included
- cUPC certified





ORTECH basins come in simple, yet elegant shapes, at excellent price points. They are made of vitreous china, come in a sleek white finish and include an overflow drain (unless specified). Most basins can be installed to meet ADA requirements.

Wash Basin

Wash Basin

RC-1812

Undermount basin with front overflow

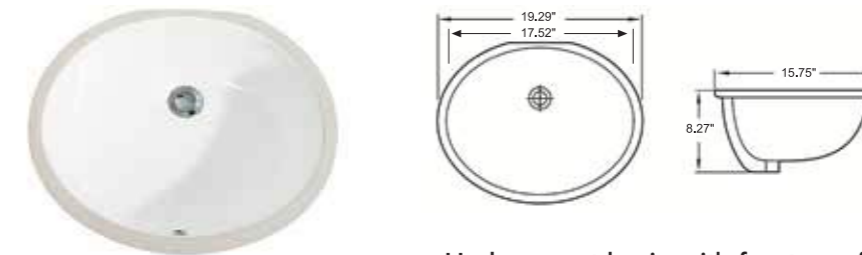


- Undermount basin with front overflow
- White finish
- Vitreous china
- Unglazed rim
- Supplied with undercounter mounting kit
- Inside dimensions (LxW) 18-1/2" x 12-1/4"



RC-1714

Undermount basin with front overflow

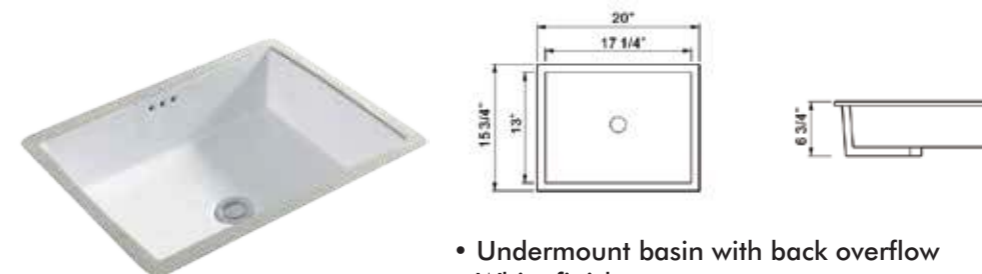


- Undermount basin with front overflow
- White finish
- Vitreous china
- Unglazed rim
- Supplied with undercounter mounting kit
- Inside dimensions (LxW) 17-5/8" x 14-3/8"



RC-1915

Undermount basin with back overflow

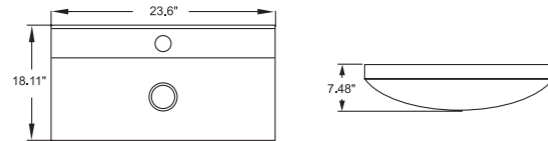


- Undermount basin with back overflow
- White finish
- Vitreous china
- Unglazed rim
- Supplied with undercounter mounting kit
- Inside dimensions (LxW) 17-1/4" x 13"



Wash Basin

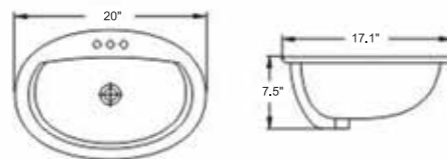
RC823-1 Counter basin with back overflow



- Counter basin with back overflow
- White finish
- Vitreous China
- Single hole
- Outside dimensions (LxWxD)
18-1/8" x 23-5/8" x 7-1/2"



RC310-4 Above counter basin with back overflow



- Above counter basin with back overflow
- White finish
- Vitreous china
- Three hole 4" center
- Outside dimensions (LxWxD)
17-1/8" x 20" x 7-1/2"



ORTECH stainless steel sinks come in a variety of sizes and styles, with a high-luster, satin nickel finish. Their excellent value makes them an ideal choice for any new home or renovation.

KH29189 16 gauge Satin nickel finish Round corners



- 29" Handmade sink
- Double equal bowl
- Satin nickel finish
- Rear drain waste hole
- Bowl is pitched to the center of the waste hole
- 16 gauge
- Fully undercoated and padded for sound deadening and moisture proofing
- Includes standard cutting template, seal, fastening clips and basket strained waste fittings with tailpipes
- Outside dimensions (LxWxD) 29"x18"x9"



KH321910D 16 gauge Satin nickel finish Round corners



- 32" handmade sink
- Double equal bowl
- Satin nickel finish
- Rear drain waste hole
- Bowl is pitched to the center of the waste hole
- 16 gauge
- Fully undercoated and padded for sound deadening and moisture proofing
- Includes standard cutting template, seal, fastening clips and basket strained waste fittings with tailpipes
- Outside dimensions (LxWxD) 32"x19"x10"



Stainless Steel Sinks

KH321910B 16 gauge Satin nickel finish Round corners



- 32" handmade sink
- Double bowl 60/40
- Satin nickel finish
- Rear drain waste hole
- Bowl is pitched to the center of the waste hole
- 16 gauge
- Fully undercoated and padded for sound deadening and moisture proofing
- Includes standard cutting template, seal, fastening clips and basket strained waste fittings with tailpipes
- Outside dimensions (LxWxD) 32"x19"x10"



KH302010 16 gauge Satin nickel finish Round corners



- 30" handmade, single bowl
- Satin nickel finish
- Bow front farmhouse apron sink
- Rear drain waste hole
- 16 gauge
- Bowl is pitched to the center of the waste hole
- Fully undercoated and padded for sound deadening and moisture proofing
- Includes standard cutting template, seal, fastening clips and basket strained waste fittings with tailpipe
- Outside dimensions (LxWxD) 30"x21"x10"



KH321910 16 gauge Satin nickel finish Round corners



- 32" handmade sink, single bowl
- Satin nickel finish
- Rear drain waste hole
- 16 gauge
- Bowl is pitched to the center of the waste hole
- Fully undercoated and padded for sound deadening and moisture proofing
- Includes standard cutting template, seal, fastening clips and basket strained waste fittings with tailpipe
- Outside dimensions (LxWxD) 32"x19"x10"



Stainless Steel Sinks

KH15198 16 gauge Satin nickel finish Round corners



- 15" handmade sink, single bowl
- Satin nickel finish
- Rear drain waste hole
- Bowl is pitched to the center of the waste hole
- 16 gauge
- Fully undercoated and padded for sound deadening and moisture proofing
- Includes standard cutting template, seal, fastening clips and basket strained waste fittings with tailpipe
- Outside dimensions (LxWxD) 15-1/4"x17-3/4"x9"



KU32219 18 gauge Satin nickel finish 8" centers three hole



- 32" undermount, double bowl 60/40
- Satin nickel finish
- Rear drain waste hole
- 18 gauge
- Fully undercoated and padded for sound deadening and moisture proofing
- Includes standard cutting template, seal, fastening clips and basket strained waste fittings with tailpipes
- Outside dimensions (LxWxD) 31-3/4"x10-1/2"x9/8"



KU33188 18 gauge Satin nickel finish 8" centers three hole



- 33" undermount, double bowl
- Satin nickel finish
- Center drain waste hole
- 18 gauge
- Fully undercoated and padded for sound deadening and moisture proofing
- Includes standard cutting template, seal, fastening clips and basket strained waste fittings with tailpipes
- Outside dimensions (LxWxD) 32-1/2"x18-1/4"x8"



Stainless Steel Sinks

Note



KT20219 18 gauge Satin nickel finish 8" centers three hole

- 20" topmount, single bowl
- Three hole 8" center
- Satin nickel finish
- Rear drain waste hole
- 18 gauge
- Fully undercoated and padded for sound deadening and moisture proofing
- Includes standard cutting template, seal, fastening clips and basket strained waste fittings with tailpipe
- Outside dimensions (LxWxD) 20"x20-1/2"x9"



KT31218 18 gauge Satin nickel finish 8" centers three hole

- 31" topmount double bowl
- Three hole 8" center
- Satin nickel finish
- Center drain waste hole
- 18 gauge
- Fully undercoated and padded for sound deadening and moisture proofing
- Includes standard cutting template, seal, fastening clips, and basket strained waste fittings with tailpipe
- Outside dimensions (LxWxD) 31"x20-1/2"x8"