

MODEL OD-HSG

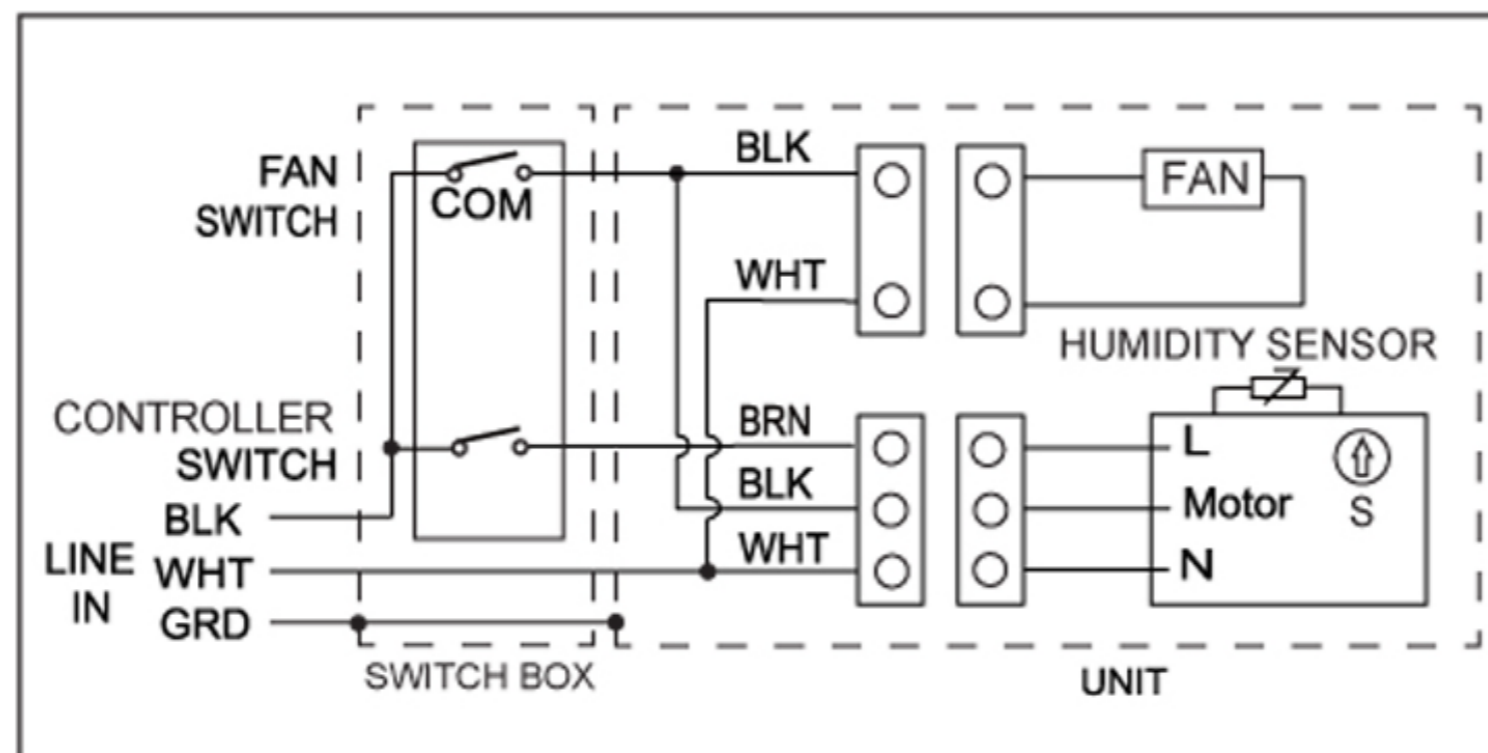
Description

- The OD-HSG is compatible with all the fans in ODD, ODS and OD series.
- OD-HSG incorporates a sensitive humidity sensor that is capable of detecting humidity quickly and accurately.
- This humidity sensor response to humidity levels that exceeds the users desired set point.



Features:

- Humidity sensor allows you to present the humidity level between 50 to 76 percent.
- Factory set, field adjustable humidity sensitivity.
- When the humidity exceeds the users desired set point the fan will elevate to high speed operation.
- 5 to 6 min. timer allows fan to operate longer after the humidity has reached its settings
- Senses humidity at ceiling level
- Our humidity sensor conserves energy by allowing the fan to operate only when required.



Reference	QTY.	Remarks	Project:
			Location:
			Architect:
			Engineer:
			Contractor:
			Submitted by:
			Date:

