

MODEL UFOHB-SENSOR



HIGHLIGHTS

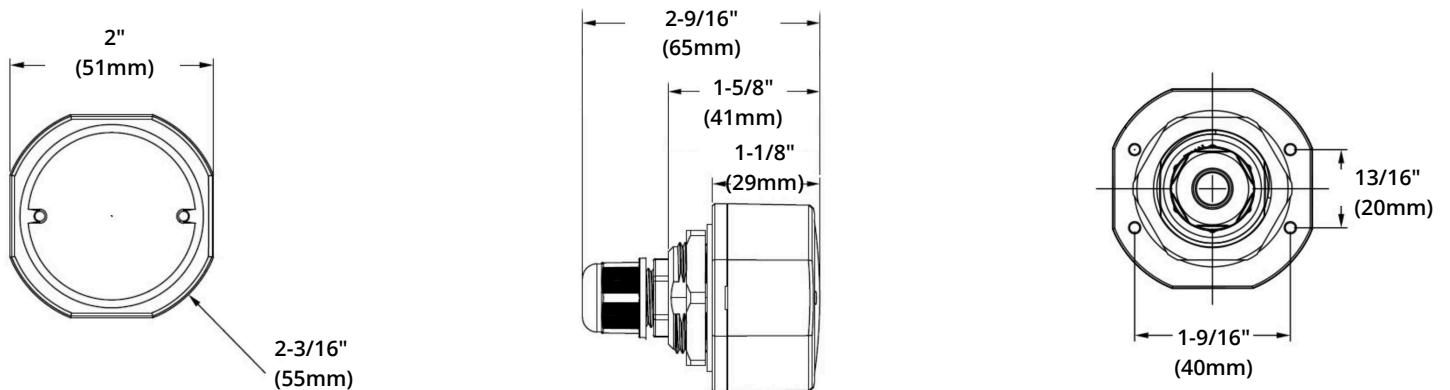
- Sensor for LED UFO High Bays (Eligible for UFOHBS-200W)
- Mini microwave sensor that is suitable for installation in most warehouses
- Suitable for DC systems or 12-24V DC output LED drivers
- Works with 0-10V dimmable LED drivers and thus makes it easy to achieve 2-step or 3-step dimming function
- Operates with remote controller and easy to adjust sensor parameters

SPECIFICATIONS

Model	UFOHB-SENSOR
Wattage	1mW Max. (Transmitting Power) < 0.3W (Stand-by Power)
DC Input Voltage	12-24V DC \pm 1V
Rated Voltage	12 or 24V
Working mode Output	0-10V DC
Dim Interface	1-10V Dimming < 50mA (Non-constant source)
Operating Frequency	5.8 GHz \pm 75 MHz, ISM Band
Lifetime	50000 hours
Grade of Protection	IP 65
Protection Class	Class II
Environment Requirement	Compliant to RoHS
Wiring	UL21996, 3*22AWG, Exposed line length 300mm Input Terminal: Internal stripping 15 \pm 1mm / External stripping 6 \pm 0.5mm, soak tin
Detection Angle	150° (wall mounting) 360° (ceiling mounting)
Hold Time	5S / 30S / 1min / 3min / 5min / 10min / 20min / 30min
Stand-by Dim Level	10% (1.4-1.6V), 20% (1.9-2.1V), 30% (2.9-3.1V), 50% (4.9-5.1V)
Stand-by Period	0s / 10S / 1min / 3min / 5min / 10min / 30min and so forth
Detection Area	25% / 50% / 75% / 100%
Daylight Sensor	5lux / 15Lux / 30Lux / 50Lux / 100lux / 150lux / Disable
Detection Radius	5-7m (mounting height 8m, Max. mounting height 15m)
Operating Temp.	-35°C ~ +55°C

MODEL UFOHB-SENSOR

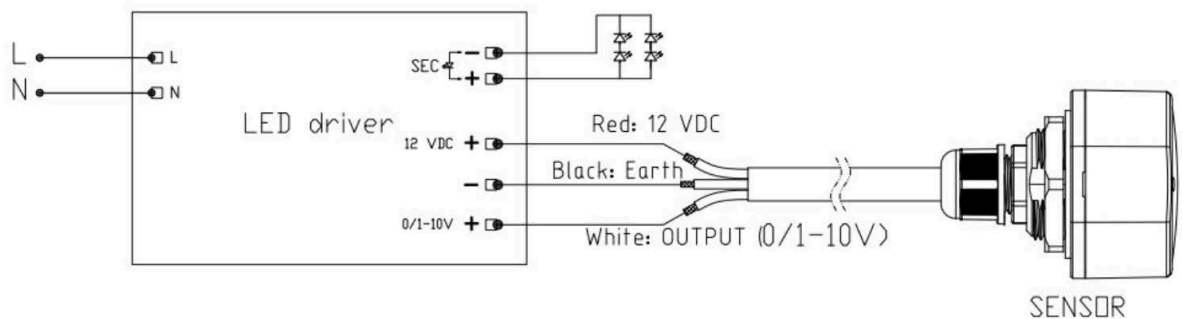
DIMENSIONS



WIRING DIAGRAM

* The sensor is designed for connect one load only.

Connect more than one loads may damage the sensor



Remote Control & Compatible High Bay (sold separately)



REMOTE-MH10

Remote Control for UFO High Bay Sensors



UFOHBS-200W

LED UFO High Bay compatible with UFOHB-SENSOR

Reference	QTY.	Remarks	Project:
			Location:
			Architect:
			Engineer:
			Contractor:
			Submitted by:
			Date: