



WARNING

WARNING — THE INSTALLATION MUST BE CARRIED OUT BY A QUALIFIED ELECTRICIAN.

1. For general ventilating use only. DO NOT use to exhaust hazardous or explosive materials and vapours
2. To avoid motor bearing damage and noisy and/or unbalanced impellers, keep drywall spray, construction dust, etc. off power unit
3. Read specification label on product for further information and requirements

Application Notice

1. Use this unit only in the manner intended by the manufacturer. Contact the manufacturer in case of questions
2. Before servicing or cleaning unit, switch power off at service panel and lock the service disconnecting means to prevent power from being switching on accidentally. When the service disconnecting means cannot be locked, securely fasten a prominent warning device, such as a tag, to the service panel
3. Installation work and electrical wiring must be done by a qualified person(s) in accordance with all applicable codes and standards, including fire-rated construction codes and standards
4. Sufficient air is needed for proper combustion and exhausting of gases through the flue (chimney) of fuel burning equipment to prevent back drafting. Follow the heating equipment manufacturer's guideline and safety standards such as those published by the National Fire Protection Association (NFPA), and the American Society for Heating, Refrigeration and Air Conditioning Engineers (ASHRAE), and the local code authorities
5. When cutting or drilling into wall or ceiling, DO NOT damage electrical wiring and other hidden utilities
6. Ducted fans must always be vented to the outdoors
7. Acceptable for use over a tub or shower when connected to a GFCI (Ground Fault Circuit Interrupter) — protected branch circuit (ceiling installation only)
8. This unit must be grounded
9. NOT for use in kitchens
10. To reduce risk of fire and to properly exhaust air, be sure to duct air outside — DO NOT vent exhaust air into spaces within walls or ceilings or into attics, crawl spaces, or garages
11. DO NOT use this fan with any solid-state speed control device
12. This fan MUST NOT be installed in a ceiling thermally insulated to a value greater than R40

CAUTION

PLEASE READ INSTRUCTION BEFORE COMMENCING INSTALLATION AND RETAIN FOR FUTURE REFERENCES.

Electrical products can cause death or injury, or damage to property.

If in any doubt about the installation or use of this product, consult a competent electrician.

CLEANING & MAINTENANCE

For quiet and efficient operation, long life, and attractive appearance — lower or remove grille and vacuum interior of unit with the dusting brush attachment.

The motor is permanently lubricated and never needs oiling. If the motor bearings are making excessive or unusual noises, replace the motor with the exact service motor. The impeller should also be replaced.

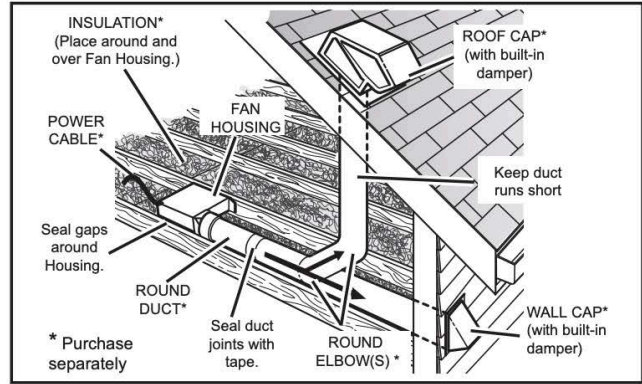
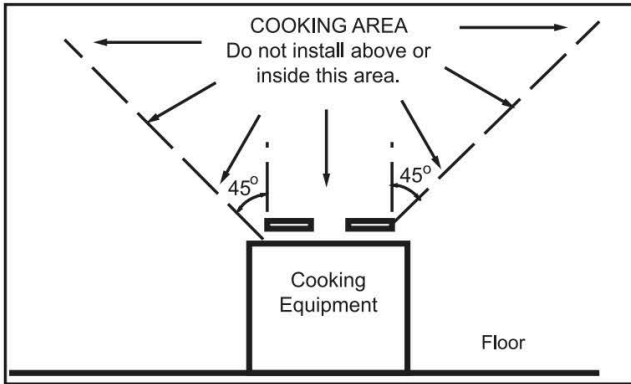
OPERATION

Use an ON/OFF switch to operate this fan.

See "Connect Electrical Wiring" on page 3 of this instruction manual for details.

INSTALLATION GUIDE

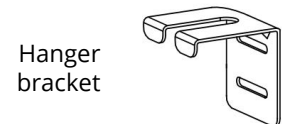
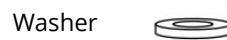
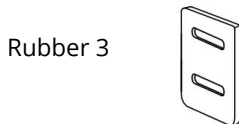
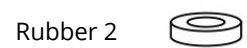
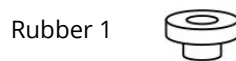
Plan the Installation



1. DO NOT use in a cooking area
2. Two ways to connect ductwork to a factory-shipped unit

Assembly Instructions

1. Before installation, you need to know:

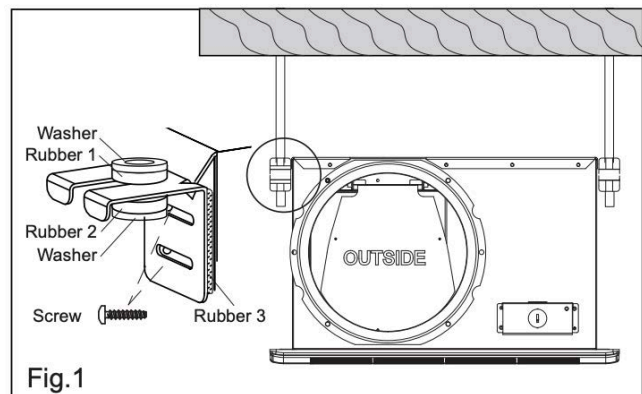


2. Mount with Hanger Bracket

Before installation, need to assembly hanger bracket and rubber 3 to housing with screw.

Then install the rubber 1, rubber 2 and washer to hanger bracket.

Use anchor bolts (not included) to secure housing (see Fig. 1).



INSTALLATION GUIDE

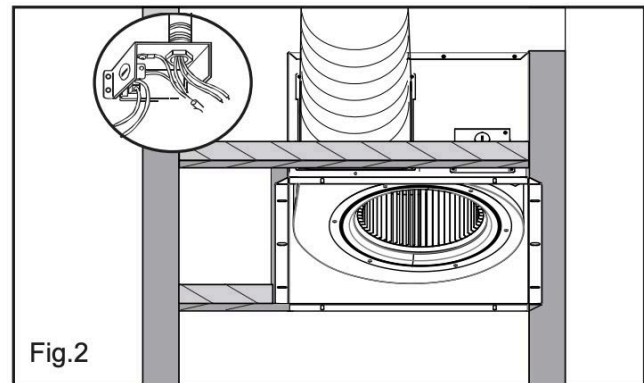
Assembly Instructions

3. Install duct work and junction box

Remove junction box cover and secure conduit or stress relief to junction box knock-out hole.

Using connectors, connect house power wires to ventilating fan wires (refer to the wiring diagram on this page CONNECT ELECTRICAL WIRING section) replace the junction box cover.

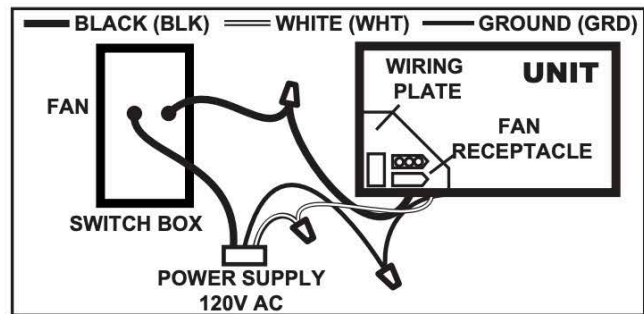
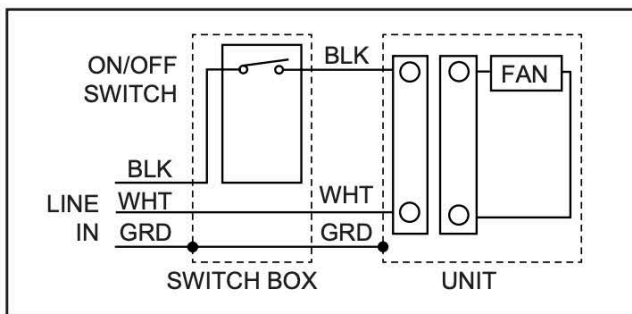
Squeeze the ductwork to fit the adapter then slip onto the adapter and secure it with duct tape (not included), secure all the ductwork connections so that they are air tight.



The ducting from this fan to the outside of building has a strong effect on the air flow, noise and energy use of the fan. Use the shortest, straightest duct routing possible for best performance, and avoid installing the fan with smaller ducts than recommended. Insulation around the ducts can reduce energy loss and inhibit mold growth. Fans installed with existing ducts may not achieve their rated air flow.

Connect Electrical Wiring

Run 120V AC house wiring to the location of the fan. Use only UL-approved connectors (not included) to attach to the house wiring to the wiring plate. Refer to the wiring diagram below, and connect the wires as shown.

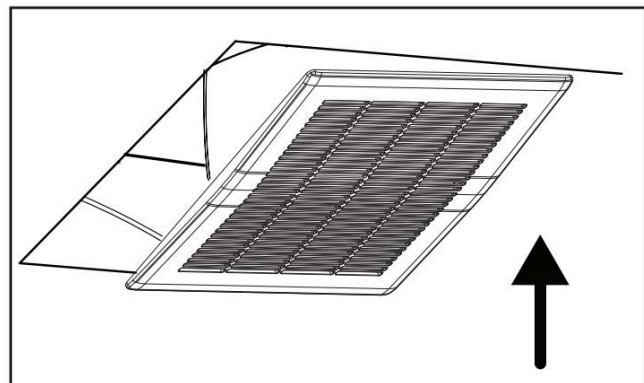


Install Grille

Install ceiling material to complete the ceiling construction. Then, cut around the fan housing.

To attach the grille assembly to the fan housing, pinch the grille springs on the side of the grille assembly, and position the grille into the housing with the grille springs in the appropriate slots.

Push the grille assembly towards the ceiling to secure.



INSTALLATION GUIDE

Service Parts

PART	PART NAME	Qty.
1	Grille Assembly (includes part 2)	1
2	Grille Spring	2
3	Plate	1
4	Blower Wheel	1
5	Blower	1
6	Motor	1
7	Housing	1
8	Hanger bracket	4
9	Power Box	1
10	Wire Panel / Harness Assembly	1
11	Wiring plate	1
12	Damper / Duct Connector	1
a	Nut, Hex Lock	1
b	Screw	4
c	Screw	2

WARNING — Before replacing, be sure to turn OFF power at power source.

