

Energy Recovery Ventilators

MODEL OD-ERV 150AC



HIGHLIGHTS

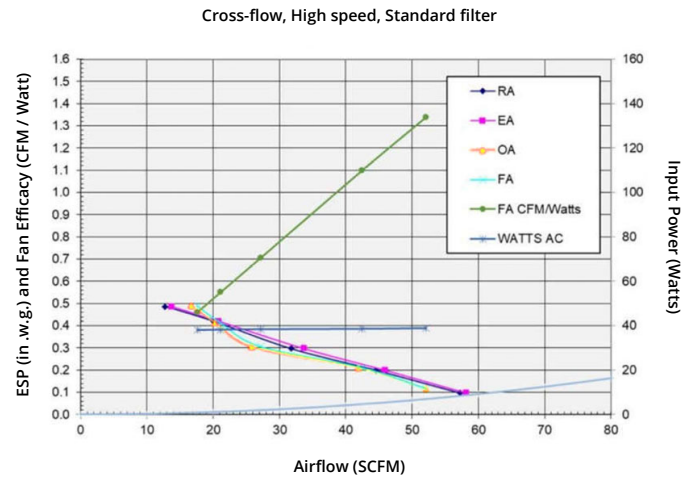
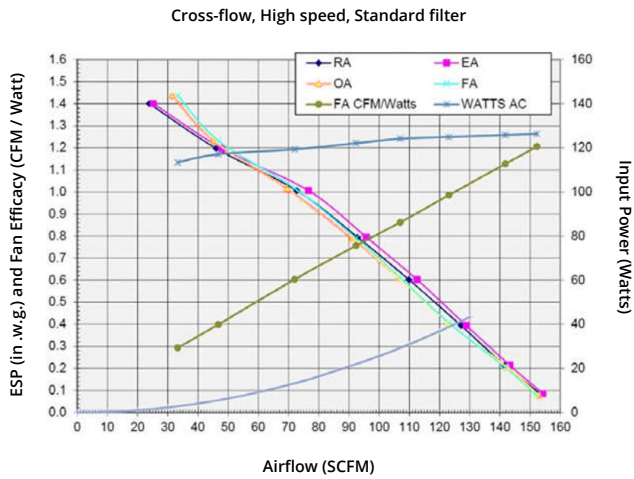
- Total Recovery Low Profile Value Series Energy Recovery Ventilators with 6" duct connections and 6 ft power cord
- 30-100% speed control built-in for OA and RA air-streams for balancing and reducing airflow per requirement
- Temperature sensor to limit operation during very low temperatures, < 25F (defrost)
- Auto-reset thermal overload protection on motors and no drain pan or hose required
- 50-100% humidity sensor to limit operation during excessive humidity conditions
- Run time per hour at low speed setting, 0-60 minutes per hour (ASHRAE 62.2)
- MERV 6 filters standard with MERV 13 option for OA stream
- LED indicators for filter replacement and unit troubleshooting
- 24VAC connection for interlock with HVAC air handler (optional)
- Has efficient cross-flow core and pressure ports for airflow balancing
- Manual override switch connection for manual operation at high speed

SPECIFICATIONS

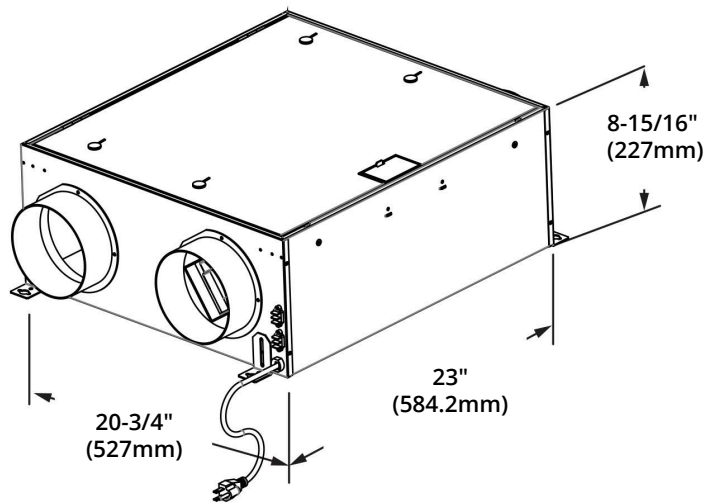
Airflow (SCFM)	ESP (in .w.g.)		Filter Type	Estimated HVI		Power		Speed
	FA	RA		SRE	ASRE	Watts	CFM/W	
125	0.40	0.43	MERV 6	46	52	125	1.00	High
22	0.40	0.40		68	80	38	0.58	Low
55	0.10	0.10		62	67	39	1.41	Low

Speed Setting	Airflow (CFM)	Sones
High	≈ 125	4.8
Low	≈ 55	2.1
Low	≈ 22	2.4

TESTING REPORT



DIMENSIONS



Reference	QTY.	Remarks	Project:
			Location:
			Architect:
			Engineer:
			Contractor:
			Submitted by:
			Date: