

MODEL OL-1H



HIGHLIGHTS

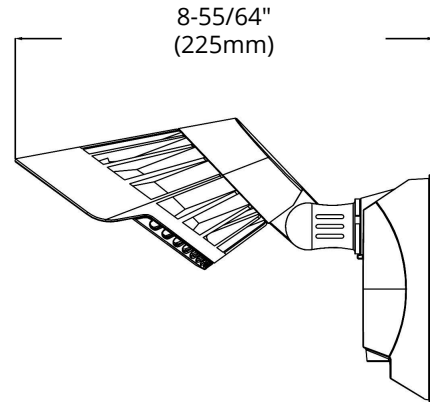
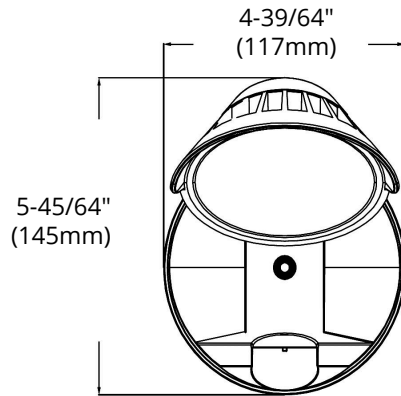
- LED Security Light with one head available in 10W used for crime prevention with its environmental design
- Helps detecting intrusions or other criminal activity on one's property
- Has a sensor that enables it to be motion activated

SPECIFICATIONS

Model	OL-1H
Wattage	10W
Voltage	110-240V AC /50-60Hz
Lumens	1200 lmn
Beam Angle	100°
Lifetime	40000 hours
CRI	> 70
Dimmable	No
Rating	Non-IC Rated, Both Indoor / Outdoor use, for Dry and Damp locations
Grade of Protection	IP 54
Sensor Detecting Range	Maximum 50ft (15m) front
Time on Adjustment	5s / 1min / 5min / 12min (Slide Switch)
Lux Settings	Night / Dusk / Day (Slide Switch)
Sensor Adjustment	Min / Mid / Max
Applications	Warehouses / Gymnasiums / Industrial spaces, etc.
Colour Temp.	5000K (Cool White)
Operating Temp.	-20°C ~ +50°C

MODEL OL-1H

DIMENSIONS



Available in following colours:



OL-1H-WH
(White)



OL-1H-GR
(Grey)



OL-1H-BR
(Brown)

ORTECH reserves the right to modify at any time, without notice, any or all of our product's features, designs, components and specifications to meet market changes.

Reference	QTY.	Remarks	Project:
			Location:
			Architect:
			Engineer:
			Contractor:
			Submitted by:
			Date: