

MODEL DWOS



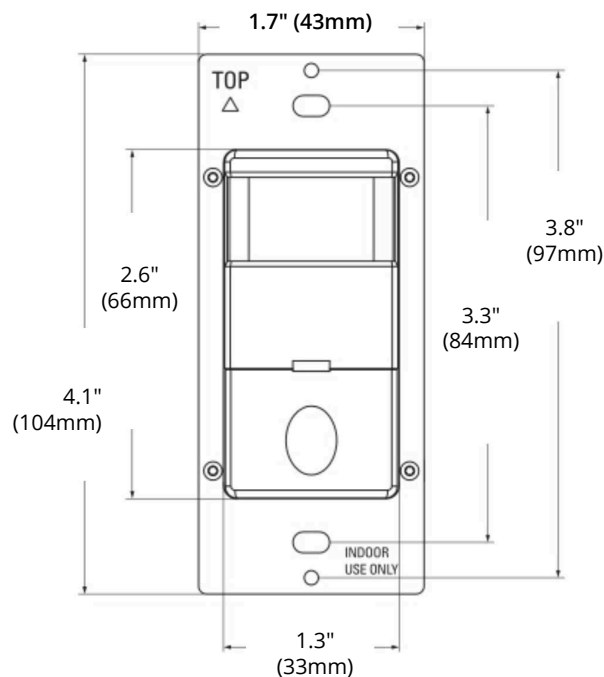
HIGHLIGHTS

- This passive infrared sensor works by detecting the difference between heat emitted from the human body in motion and the background space
- Can turn a load on and hold it as long as the sensor detects occupancy
- After no motion is detected for the set time delay, the load turns off automatically
- Has one relay (equal to single pole switch) and also includes Ambient Light Level Sensor

SPECIFICATIONS

Model	DWOS
Voltage	120V AC /60Hz
Tungsten	800W
Ballast	800VA
Resistive	12A
Motor	1/4Hp
Time Delay	15 sec ~ 30 min
Light Level	30 Lux — Daylight
Operating Temp.	0°C ~ +55°C

- **Dimensions:** 104 mm (L) x 43 mm (W)



Reference	QTY.	Remarks	Project:
			Location:
			Architect:
			Engineer:
			Contractor:
			Submitted by:
			Date: