

MODEL OD-MC609V RC D



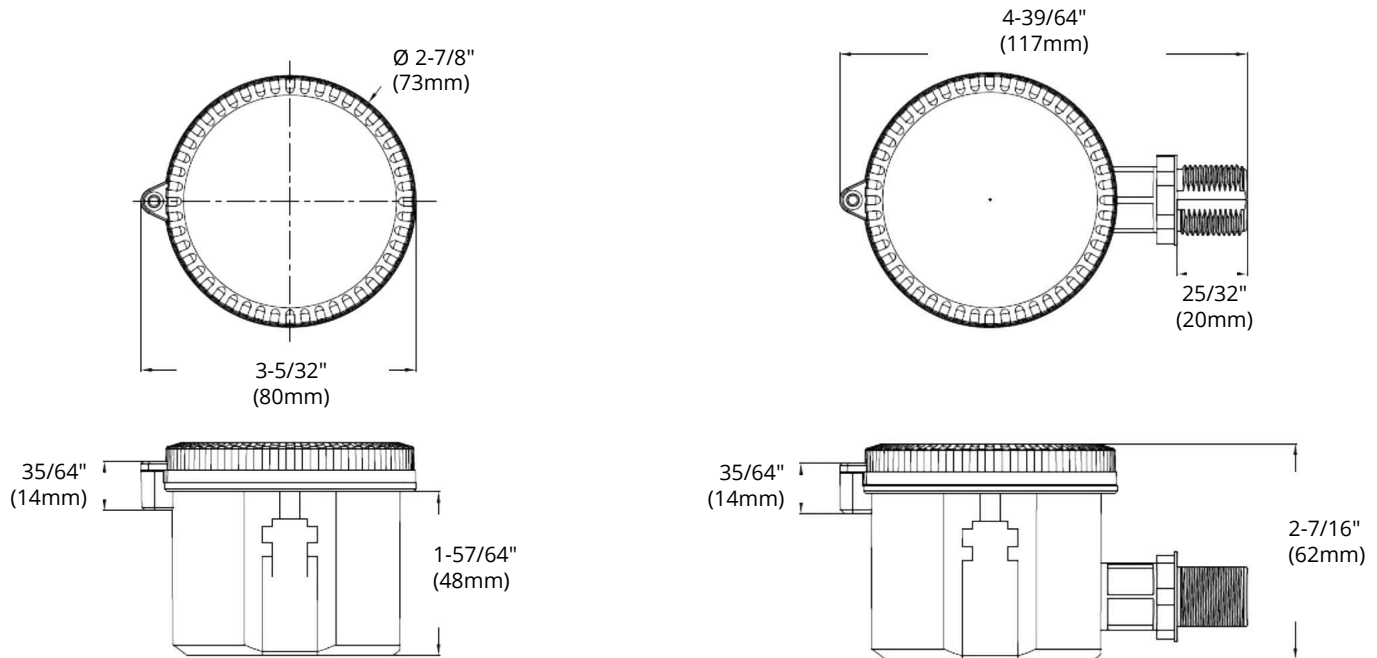
HIGHLIGHTS

- 120-347V Sensor for Vapour Tights, High bays and LED Panels
- Works with 1-10V dimmable LED driver and easy to achieve 2-step or 3-step dimming function
- Has Patented microwave antenna and mounting height is maximum 15m; this sensor is waterproof and is for indoor use only
- Functions with remote controller MH01, and is easy to adjust sensor parameters

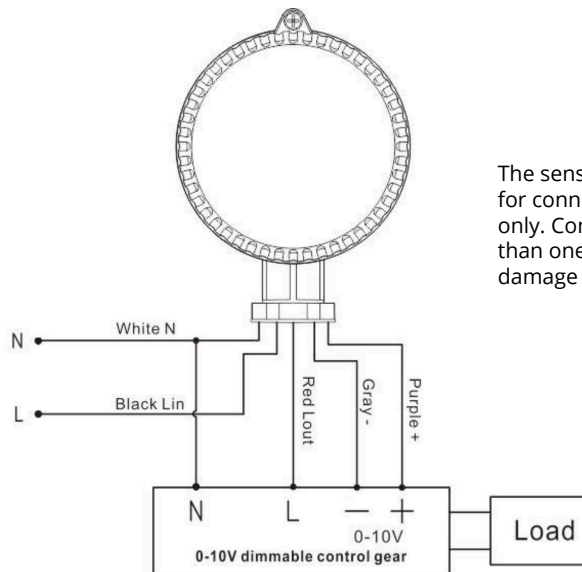
SPECIFICATIONS

Model	OD-MC609V RC D
Wattage	0.5W Max. (transmitting power) < 1.5W (stand-by power)
DC Input Voltage	N/A
Rated Voltage	120V AC / 277V AC / 347V AC, 50/60Hz
Working Mode Output	ON/OFF function, 1-10V step dimming
Dim Interface	< 50mA (non-constant source) 10% (1.4-1.6V), 20% (1.9-2.1V), 30% (2.9-3.1V), 50% (4.9-5.1V)
Operating Frequency	5.8 GHz \pm 75MHz, ISM Band
Lifetime	50000 hours
Grade of Protection	IP 65
Protection Class	Class II
Environment Requirement	Compliant to RoHS
Wiring	Input STW, 3*18AWG exposed line length: 810-830 mm 1-10V DC: SJTW, 2*18AWG exposed line length: 810-830 mm
Detection Angle	150° (wall mounting), 360° (ceiling mounting)
Hold Time	DIP switch: 5s / 30s / 1min / 3min / 20min / 30min Remote control: 5s / 30s / 1min / 3min / 5min / 10min / 20min / 30min
Stand-by Dim Level	DIP switch & Remote control: 10% / 20% / 30% / 50%
Stand-by Period	DIP switch: 0s / 1min / 3min / 10min / 30min and so forth Remote control: 0s / 10s / 1min / 3min / 5min / 10min / 30min and so forth
Detection Area	DIP switch: 100% / 50% Remote control: 25% / 50% / 75% / 100%
Daylight Sensor	DIP switch & Remote control: 5lux / 15lux / 30lux / 50lux / 100lux / 150lux / Disable (Ambient light diffusion)
Detection Radius	5-8m (mounting height 8m, and maximum mounting height 15m)
Operating Temp.	-35°C ~ +55°C

DIMENSIONS



WIRING DIAGRAM



The sensor is designed for connect one load only. Connecting more than one load may damage the sensor.

ORTECH reserves the right to modify at any time, without notice, any or all of our product's features, designs, components and specifications to meet market changes.

Reference	QTY.	Remarks	Project:
			Location:
			Architect:
			Engineer:
			Contractor:
			Submitted by:
			Date: