

# LED High Bay Sensor

## MODEL OD-MC628VRC



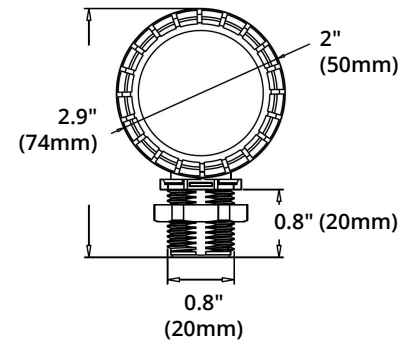
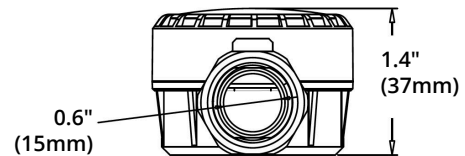
### HIGHLIGHTS

- Supports high and low sensitivity modes
- For metal ceilings, metal reflector mounting environments
- Compatible with 0-10V dimmable LED driver, easy to achieve 2-step or 3-step dimming function
- Fit for linear high bay and tri-proof light
- Dim+/Dim-function, daylight priority function

### SPECIFICATIONS

|                         |  |
|-------------------------|--|
| Model                   | OD-MC628VRC  |
| Wattage                 | 0.5mW Max. (transmitting power)<br>< 1W (stand-by power)   |
| DC Input Voltage        | N/A  |
| Rated Voltage           | 120-277V   |
| Working mode Output     | 0-10V dimming  |
| Dim Interface           | 0-10V dimming,<br>< 50mA (non-constant source)   |
| Operating Frequency     | 5.8 GHz ± 75MHz,<br>ISM band   |
| Lifetime                | 50000 hours  |
| Grade of Protection     | IP65   |
| Protection Class        | Class II   |
| Environment Requirement | Compliant to RoHS  |
| Wiring                  | UL1015, 2*18AWG, exposed line length 810mm<br>UL1015, 2*22AWG, exposed line length 810mm   |
| Detection Angle         | 150° (wall mount)<br>360° (ceiling mount)  |
| Hold Time               | 5s/30s/1min/3min/5min/10min/20min/30min  |
| Stand-by Dim Level      | 10% (1.4-1.6V), 20% (1.9-2.1V), 30% (2.9-3.1V), 50% (4.9-5.1V)   |
| Stand-by Period         | 0s/10s/1min/3min/5min/10min/30min and so forth   |
| Detection Area          | 25%/50%/75%/100%   |
| Daylight Sensor         | Daylight threshold — 5lux/15lux/30lux/50lux/100lux/150lux/Disable (no shadow or ambient light diffuse reflection)<br>Daylight priority — (5lux/15Lux/30Lux/50Lux)/150Lux<br>100Lux/200Lux<br>150Lux/300Lux |
| Detection Radius        | 2-12m (mounting height 12m Max.)   |
| Operating Temp.         | -35°C ~ + 55°C   |

• **Dimensions:** 74 mm x 50 mm x 37 mm



**Remote Control**  
(sold separately)



**REMOTE-MH10**

| Reference | QTY. | Remarks | Project:      |
|-----------|------|---------|---------------|
|           |      |         | Location:     |
|           |      |         | Architect:    |
|           |      |         | Engineer:     |
|           |      |         | Contractor:   |
|           |      |         | Submitted by: |
|           |      |         | Date:         |