

Operation

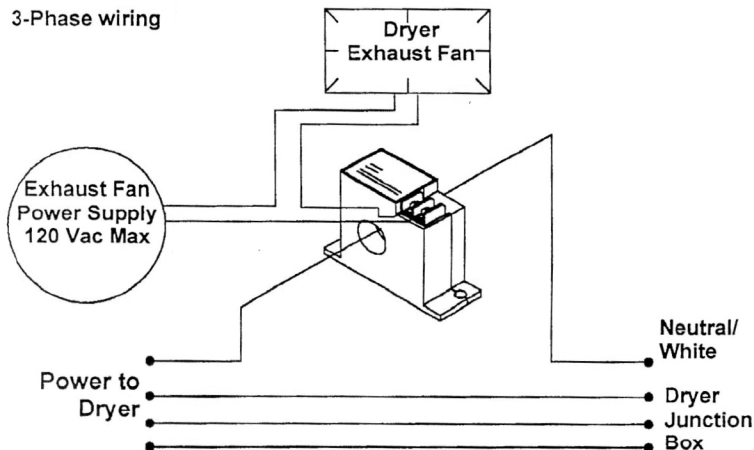
The High Current Switch / Dryer Fan Control is a solid-state N.O. high current AC switch that operates a dryer booster fan directly. This device senses when a clothes dryer is drawing ~1 Amp of current and then closes the output switch to activate the dryer vent booster fan. When the dryer cycle is complete and the current drops below the threshold, the output switch will remain closed for a set time (see chart below) to allow heat to be removed from the vent before the switch is opened again. The device requires no field adjustments and only two wire connections for easy installation. It is designed to mount in a standard electrical box and the dryer supply wire passes through the center of the sensor so no physical connection is made. The device output will switch loads at 120 Vac and 2.5 Amps maximum. Internal circuits are totally powered by induction from the line being monitored.

Model	Output	Switch V	Switch I	Leakage	Input I Min	Input I	Time Delay
ORTECH-AS0	Triac	120 VAC	2.5 Amp	<1 mA	~1 Amp	50 Amps	none
ORTECH-AS5	Triac	120 VAC	2.5 Amp	<1 mA	~1 Amp	50 Amps	5 minutes
ORTECH-AS10	Triac	120 VAC	2.5 Amp	<1 mA	~1 Amp	50 Amps	10 minutes
ORTECH-AS15	Triac	120 VAC	2.5 Amp	<1 mA	~1 Amp	50 Amps	15 minutes

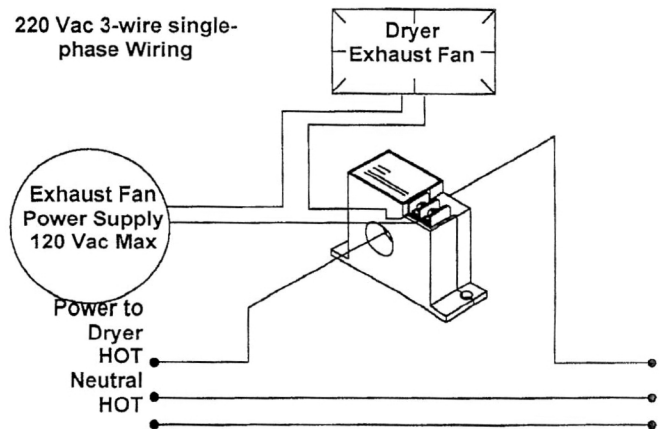
Installation

1. Disconnect and lock-out all power sources during installation as severe injury or death can result from electrical shock due to contact with high voltage conductors. Ensure all installations are in compliance with applicable electrical codes and that the installation is completed by qualified installers familiar with the standards and proper safety procedures for high-voltage installation. Never rely on status indicating devices only to determine if power is present in a conductor.
2. Mount sensor in a convenient location, with-in or adjacent to the breaker panel. Alternatively the sensor can be installed inside the dryer electrical compartment. Refer to install drawing on page 2.
- 3a. (3-Phase systems) Disconnect and loop the neutral power wire, white, through the current sensor and reconnect.
- 3b. (220 Vac 3-wire single-phase systems) Determine which of the Hot wires is active for the dryer only. (this is necessary for stacked washer/dryer units). Verify that there is sufficient current to trip the current switch (minimum of 1 amp). If required the wire can be looped through twice to increase the current read by the switch.
4. Connect the fan power supply, as shown 120 Vac max, to the top terminals of the current sensor.

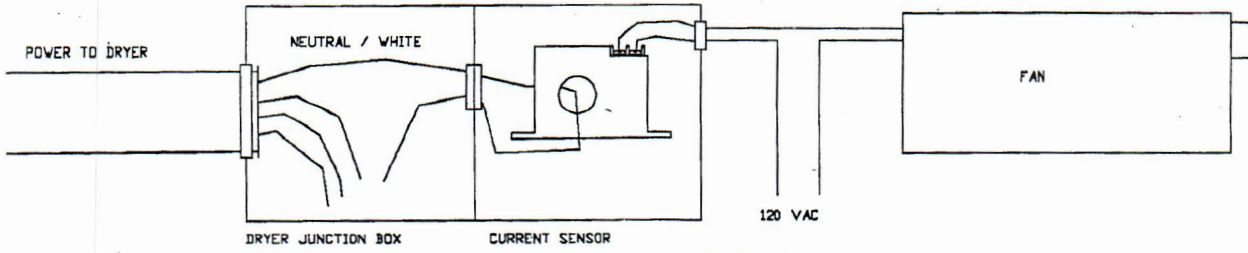
3-Phase wiring



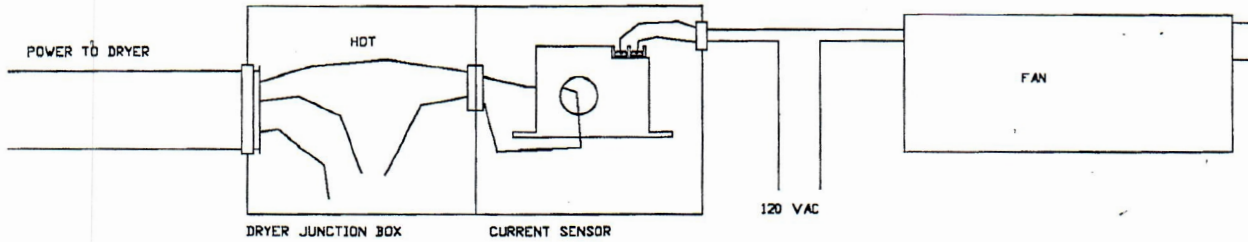
220 Vac 3-wire single-phase Wiring



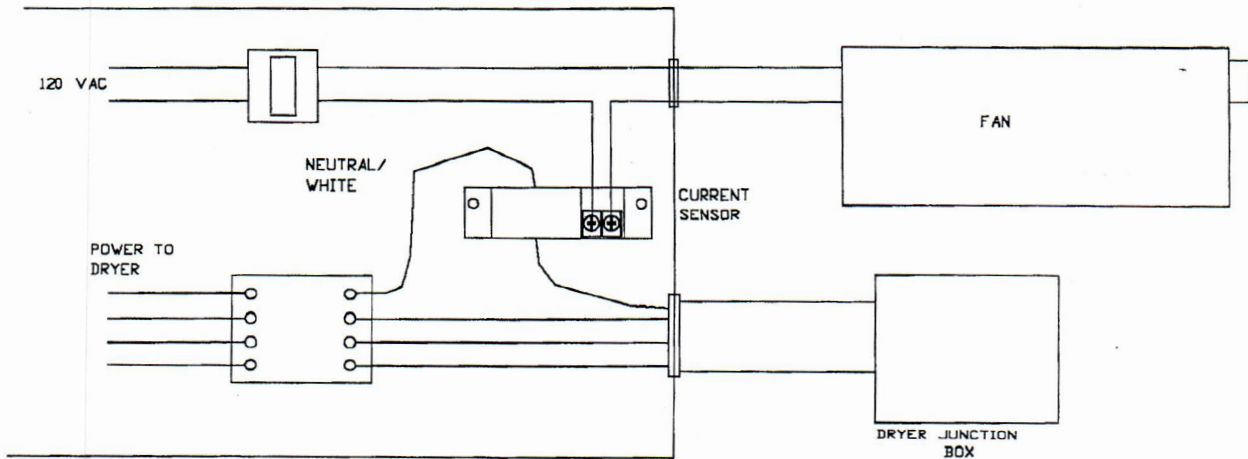
INSTALLATION AT DRYER JUNCTION BOX
(3-PHASE)



INSTALLATION AT DRYER JUNCTION BOX
(3-WIRE SINGLE PHASE)



INSTALLATION AT FUSE/BREAKER PANEL
(3-PHASE)



INSTALLATION AT FUSE/BREAKER PANEL
(3-WIRE SINGLE PHASE)

