

MODEL BOX MBD-3K



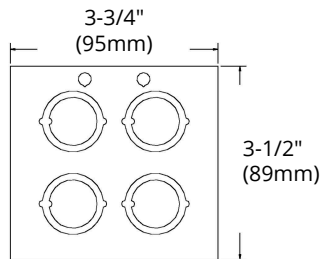
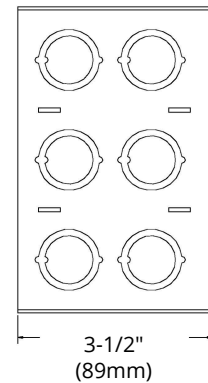
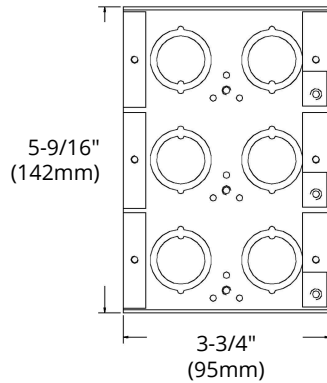
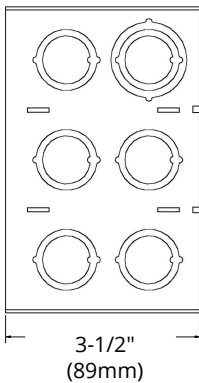
HIGHLIGHTS

- 3 Gang masonry box
- Multi-gang boxes that are 3-1/2" deep 63CU.IN.
- For concrete or masonry walls
- With concentric knockouts

SPECIFICATIONS

Model	BOX MBD-3K
Application	Concrete or Masonry wall
Material	Galvanized Steel
Box Type	Multi-gang box
Construction Type	Welded
Cover Included	None
Knockout Options	1/2" and 3/4" Concentric Knockouts — Sides: 8, Bottom: 6, Ends: 9 1/2", 3/4" and 1 in Concentric Knockouts — 3

DIMENSIONS



ORTECH reserves the right to modify at any time, without notice, any or all of our product's features, designs, components and specifications to meet market changes.

Reference	QTY.	Remarks	Project:
			Location:
			Architect:
			Engineer:
			Contractor:
			Submitted by:
			Date: