

# Dimmers

## MODEL DMD-LED-3



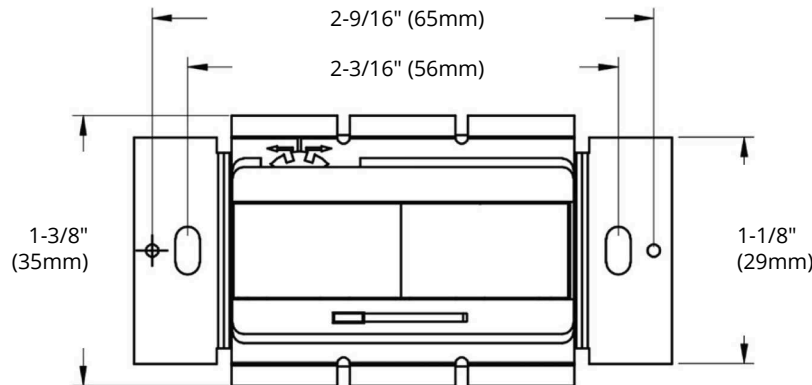
### HIGHLIGHTS

- 0-10V low-voltage lighting control
- Minimum light level (low-end) shall be adjusted to optimize performance
- LED / CFL 150W dimmable single pole three way decorator dimmer switch
- Provides dimming control for 0-10V compatible LED drivers, fluorescent ballast & HID ballast

### SPECIFICATIONS

|                        |                         |
|------------------------|-------------------------|
| Model                  | <b>DMD-LED-3</b>        |
| Voltage                | 0-10V AC                |
| Electronic Ballast/LED | 120V AC 6A / 277V AC 3A |
| Frequency              | 60Hz                    |
| LED / CFL              | 150W dimmable           |
| Incandescent           | 600W                    |
| Humidity               | 95% RH, non-condensing  |
| Operating Temp.        | 0°C ~ +55°C             |

### DIMENSIONS



| Reference | QTY. | Remarks | Project:      |
|-----------|------|---------|---------------|
|           |      |         | Location:     |
|           |      |         | Architect:    |
|           |      |         | Engineer:     |
|           |      |         | Contractor:   |
|           |      |         | Submitted by: |
|           |      |         | Date:         |

ORTECH reserves the right to modify at any time, without notice, any or all of our product's features, designs, components and specifications to meet market changes.