

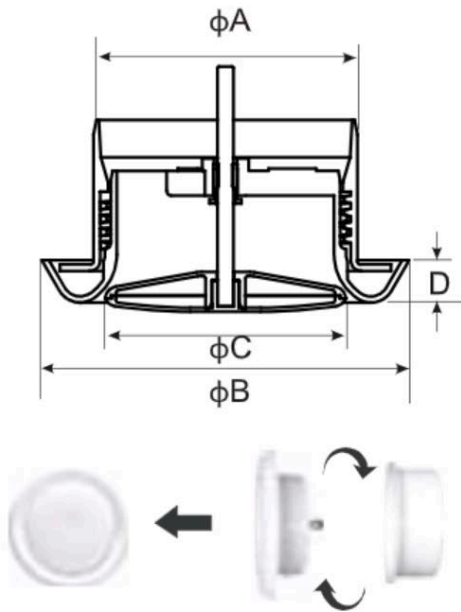
MODEL PAV-B



HIGHLIGHTS

- To be mounted into round duct by mounting frame
- Polypropylene body with adjustable core and thread
- Polymeric air valve for air supply and exhaust in ventilation systems

SPECIFICATIONS



Model	Ø A	Ø B	Ø C	D
PAV-B 4"	3-13/16" (97 mm)	5-7/16" (138 mm)	3-9/16" (90 mm)	9/16" (15 mm)
PAV-B 5"	4-13/16" (122 mm)	6-5/8" (168 mm)	4-1/2" (115 mm)	
PAV-B 6"	6-3/16" (157 mm)	8-7/16" (215 mm)	5-1/8" (130 mm)	
PAV-B 8"	7-11/16" (195 mm)	10-1/16" (255 mm)	7-7/16" (189 mm)	

Reference	QTY.	Remarks	Project:
			Location:
			Architect:
			Engineer:
			Contractor:
			Submitted by:
			Date:

ORTECH reserves the right to modify at any time, without notice, any or all of our product's features, designs, components and specifications to meet market changes.