

LED Emergency Lights

MODEL OE-212



HIGHLIGHTS

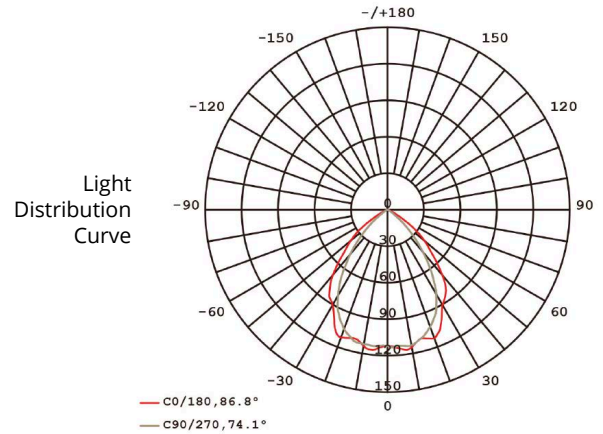
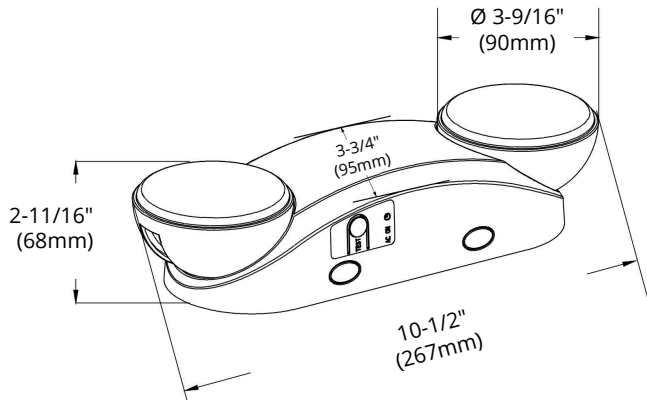
- LED Dual Head Emergency Light with universal J-Box mounting pattern suitable for wall mount applications
- Has 2 x 12 pieces ultra bright 2835 SMT LED lamp heads for emergency mode and 120-347V AC wide universal voltage operation
- Comes with built-in 3.6V 1200mAh nickel-cadmium battery for minimum 120 minutes emergency operation
- Made of injection-molded thermoplastic ABS housing and has UL94V-0 flame rating
- Full recharge time is maximum 24 hours and is suitable for 0°C to +40°C indoor damp locations
- Provides overcharge & over-discharge protection
- Includes test switch and charge indicator
- Fast and Easy installation in minutes

SPECIFICATIONS

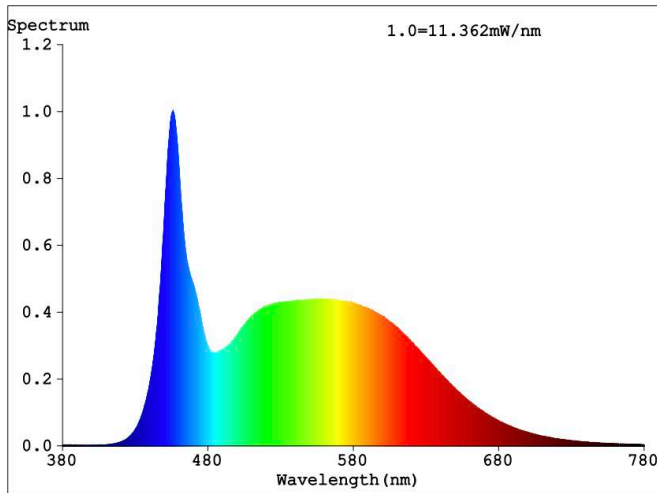
Model	OE-212
Wattage	2W (AC) / 2*1.2W (DC)
Voltage	120-347V AC /60Hz
AC Charging Current	30mA AC
DC Charging Voltage	4.35-4.5V DC
DC Charging Current	90-130mA DC
Lumens	260 lmn
Material	Injection-molded thermoplastic ABS housing
Battery	3.6V 1200mAh
Battery Type	Nickel-Cadmium Battery
Emergency Duration Time	≥ 120 min
Discharge Current	430-500mA
Charging Time	≤ 24 hours
Colour Temp.	6500K (Cool White)
Operating Temp.	0°C ~ +40°C
Warranty	5 years

MODEL OE-212

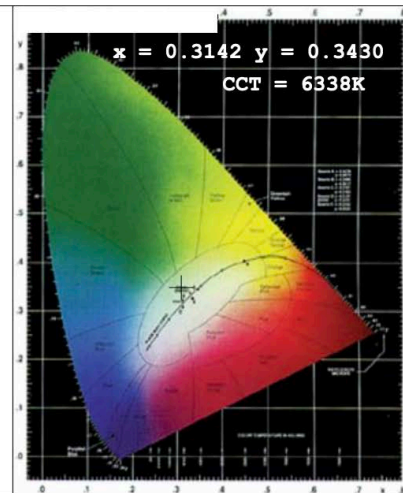
DIMENSIONS & TESTING REPORT



SPECTRA



Spectral Distribution



OE-212 Chromaticity Diagram

Colourimetric Parameters

Chromaticity Coordinate: $x = 0.3142$ $y = 0.3430$ / $u' = 0.1937$ $v' = 0.4759$

CCT= 6338K (Duv=0.0095) Dominant WL: $\lambda_d=498.3\text{nm}$ Purity=6.0%

Peak WL: $\lambda_p=455.9\text{nm}$ FWHM: $\approx 21.2\text{nm}$ Ratio: R=13.3% G=80.4% B=6.3%

Render Index: $R_a = 83.2$ CRI=76.1 AvgR=76.0

R1=81 R2=92 R3=95 R4=78 R5=81 R6=88 R7=86

R8=66 R9=5 R10=80 R11=78 R12=56 R13=85 R14=97 R15=75

Photometric & Radiometric Parameters

Flux = 329.8 lm Eff. : 0.00 lm/W Fe = 1.044 mW

ORTECH reserves the right to modify at any time, without notice, any or all of our product's features, designs, components and specifications to meet market changes.

Electrical parameters

V = 0 V I = 0 A P = 0 W PF = 0

Reference	QTY.	Remarks	Project:
			Location:
			Architect:
			Engineer:
			Contractor:
			Submitted by:
			Date: