

Humidity & Fan Control Sensor

MODEL WM-DWHS



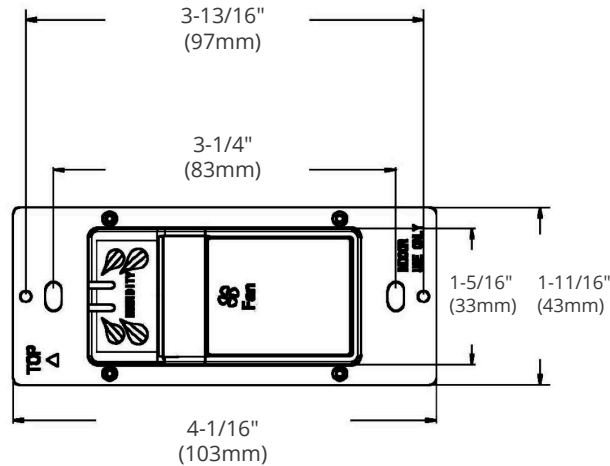
HIGHLIGHTS

- Reduces bathroom condensation and saves energy simultaneously
- Humidity & Fan Control Sensor that combines humidity and bath fan control functions

SPECIFICATIONS

Model	WM-DWHS
Voltage	120V AC /60Hz
Max. Fan Load	3A
Max. Fan Time Delay	30 min
Humidity Range	45% ~ 80% RH

DIMENSIONS



Reference	QTY.	Remarks	Project:
			Location:
			Architect:
			Engineer:
			Contractor:
			Submitted by:
			Date:

ORTECH reserves the right to modify at any time, without notice, any or all of our product's features, designs, components and specifications to meet market changes.