



Optional
LED Light Grille



HIGHLIGHTS

- Low speed (30 CFM) is optional
- Built-in delay up to 30 minutes timer
- ETL evaluated and conforms to UL and cUL safety standards
- Low speed runs continuously (adjustable from 30 CFM to max CFM)
- Very quiet three speeds DC motor fan for ceiling or wall mounted hold

SPECIFICATIONS

Model	ODDSS-100-3					
Static Pressure in inches .w.g.	0.1	0.25	0.1	0.25	0.1	0.25
Air Volume (CFM)	50	50	80	80	100	100
Noise (sones)	0.6	N/A	1.0	N/A	1.2	N/A
Fan Watts	3.7W	6.5W	6.7W	10W	10.2W	14.4W
Duct Diameter	4"					
Power Rating (V/Hz)	120/60					

- **Housing Size:**
10-1/4" x 10-1/4" x 3-3/8"
(260 mm x 260 mm x 86 mm)
- **Grille Dimensions:**
13-3/4" x 13"
(349 mm x 330 mm)

HOUSING

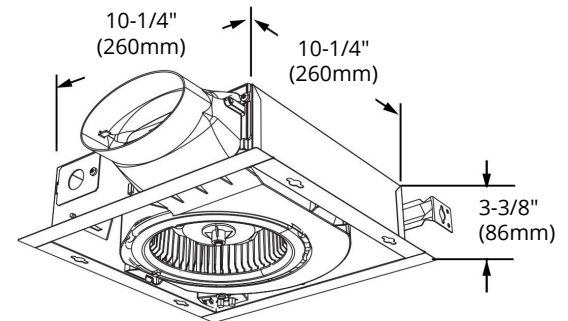
- Made of rugged 26 GA galvanized steel
- Detachable 4" polymeric collar which includes a light weight built-in back draft damper

MOTOR / BLOWER

- Power rating should be 120 volts and 60 Hz
- Comes with built-in overload disconnect for safety and longer motor life
- Totally enclosed brushless DC motor technology designed to operate continuously

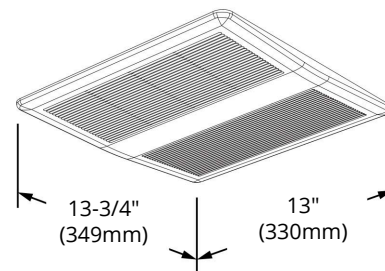
GRILLE

- The grille is low profile that has elegance and still able to maintain its simplicity

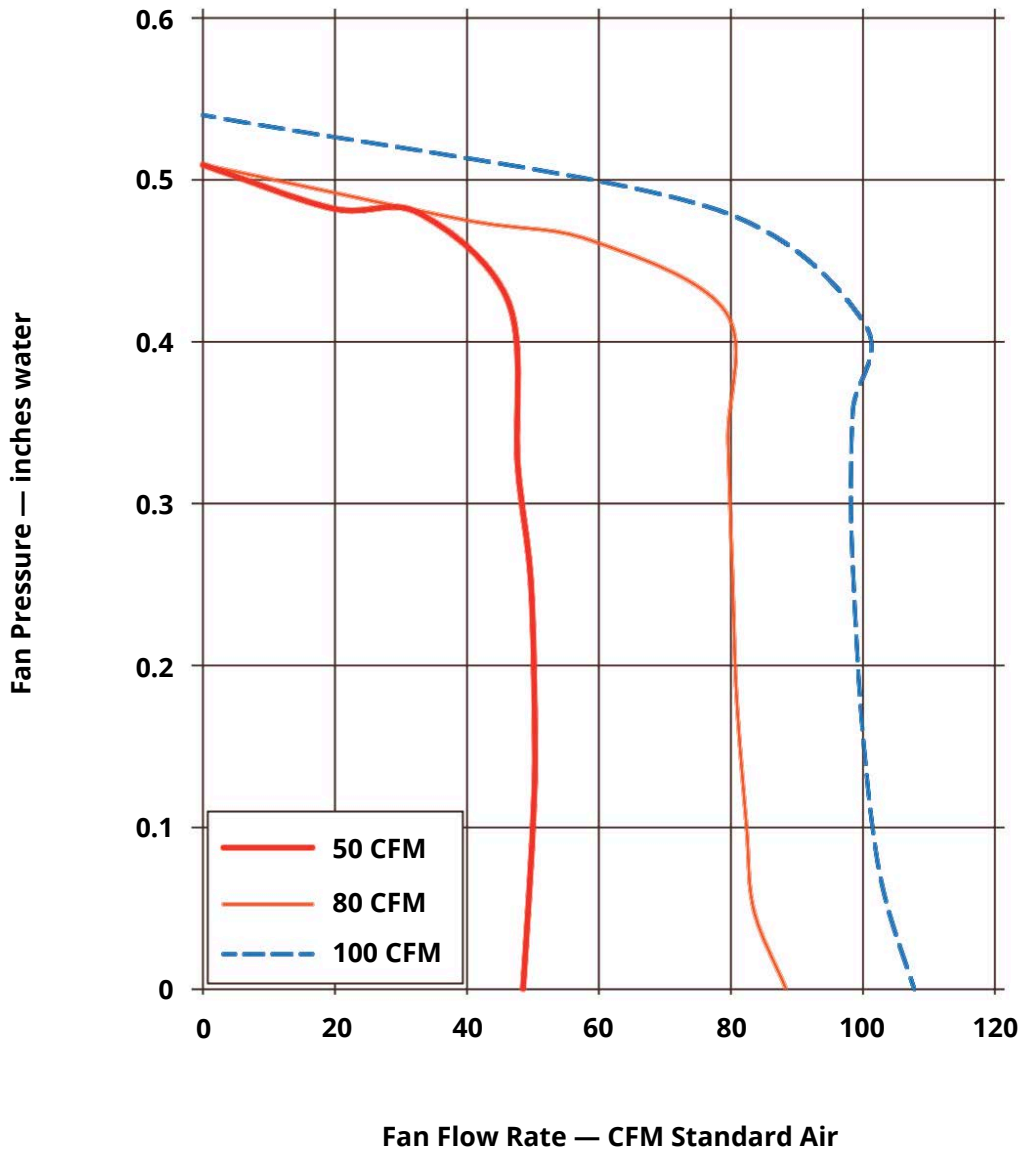


TYPICAL SPECIFICATIONS

- Ceiling ventilator shall have corrosion resistance galvanized steel
- Built-in toggle switch for high speeds (50 CFM / 80 CFM / 100 CFM) selection
- Includes an attachable non-metallic collar with built-in back draft damper
- Blower assembly shall be removable, have a centrifugal type blower wheel and a permanently lubricated motor designed for continuous operation
- Ultra Silent
- High Performance
- Attractive Design Grille
- Moves air quietly, efficiently and economically



FAN CURVE GRAPH



ODDSS-100-3

Reference	QTY.	Remarks	Project:
			Location:
			Architect:
			Engineer:
			Contractor:
			Submitted by:
			Date:

ORTECH reserves the right to modify at any time, without notice, any or all of our product's features, designs, components and specifications to meet market changes.