

# Switches

## MODEL 8304TR



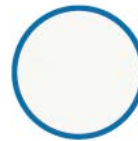
### HIGHLIGHTS

- With self grounding clip
- 15A decorative temper resistant receptacle

### SPECIFICATIONS

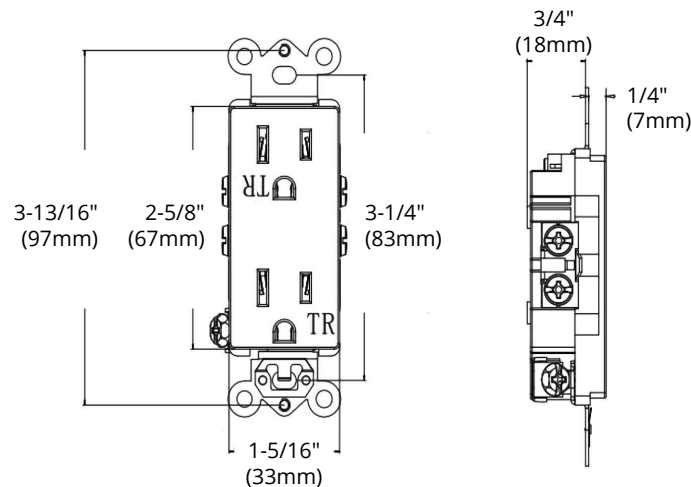
Model	<b>8304TR</b>
Voltage	125V AC
Amps	15A
Base / Cover	Polycarbonate
Power Contacts	Brass
Terminal Screws	Plated steel
Frame	Polycarbonate
Flammability	UL 94V-2
Operating Temp.	-40°C ~ +65°C

#### Colour Availability:



White

### DIMENSIONS



Reference	QTY.	Remarks	Project:
			Location:
			Architect:
			Engineer:
			Contractor:
			Submitted by:
			Date:

ORTECH reserves the right to modify at any time, without notice, any or all of our product's features, designs, components and specifications to meet market changes.