

# Receptacles

## MODEL 8307USB



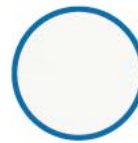
### HIGHLIGHTS

- Total power 4A two USB charging ports
- Tamper resistant receptacles increase safety
- Allows user to charge electrical device directly without an adapter
- 20A decorative tamper resistant receptacle with dual USB charger

### SPECIFICATIONS

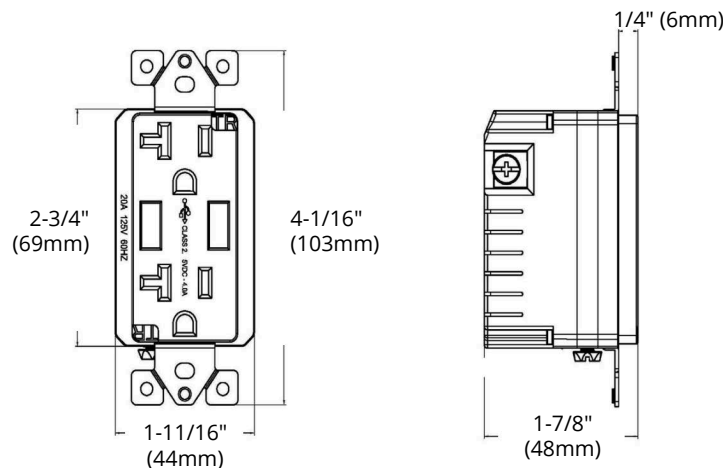
Model	<b>8307USB</b>
Voltage	125V AC
Amps	20A
Base / Cover	Polycarbonate
Power Contacts	Brass & Silver
Terminal Screws	Plated steel
Frame	Plated steel
Flammability	UL 498
Operating Temp.	+20°C ~ +60°C

#### Colour Availability:



White

### DIMENSIONS



Reference	QTY.	Remarks	Project:
			Location:
			Architect:
			Engineer:
			Contractor:
			Submitted by:
			Date:

ORTECH reserves the right to modify at any time, without notice, any or all of our product's features, designs, components and specifications to meet market changes.