

# 4" Recessed Housing

## MODEL ODH2-4R



### HIGHLIGHTS

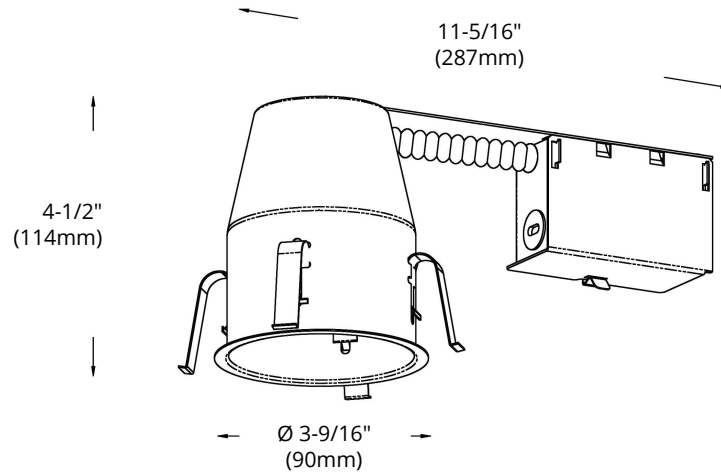
4" R/PAR20 50W Max. line voltage housing with quick connect push-in terminals

- Wire through junction box
- Includes screw down clamps
- Suitable for dry locations
- Commercial remodel housing

### SPECIFICATIONS

Model	<b>ODH2-4R</b>
Lamp Type	E26 PAR20 50W Max.
Diameter	Ø 4-1/2" (cut hole size)
Lamp Size	PAR20
Included	Screw down clamps / Four hole quick connector

### DIMENSIONS



Reference	QTY.	Remarks	Project:
			Location:
			Architect:
			Engineer:
			Contractor:
			Submitted by:
			Date:

ORTECH reserves the right to modify at any time, without notice, any or all of our product's features, designs, components and specifications to meet market changes.