

Switches

MODEL 8203-3



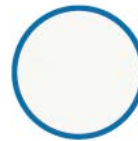
HIGHLIGHTS

- With 8 screws
- 15A single pole decorative triple rockers switch

SPECIFICATIONS

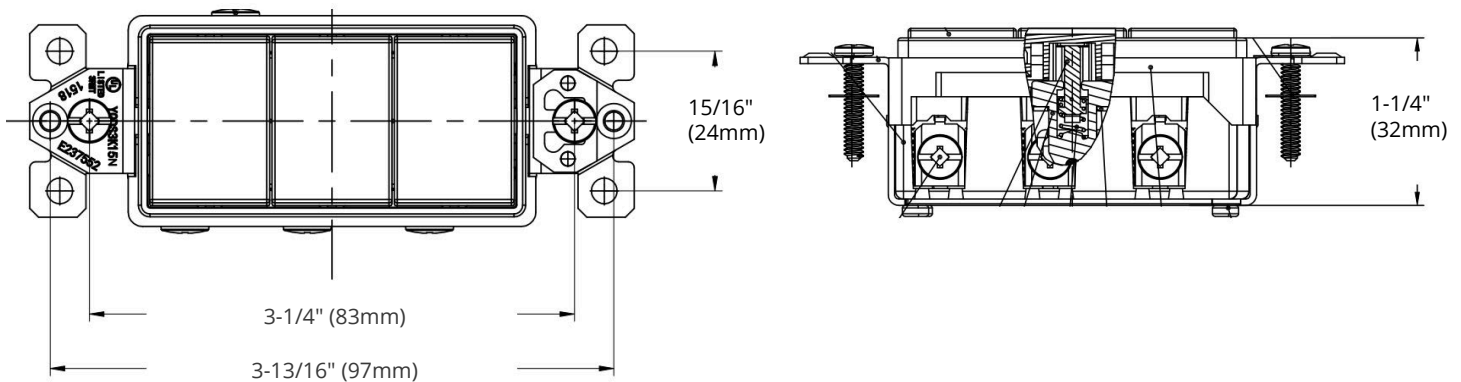
Model	8203-3
Voltage	120-277V AC
Amps	15A
Base / Cover	Polycarbonate
Power Contacts	Brass
Terminal Screws	Plated steel
Yoke	Steel with Zinc plating
Flammability	UL 20
Operating Temp.	-40°C ~ +70°C

Colour Availability:



White

DIMENSIONS



Reference	QTY.	Remarks	Project:
			Location:
			Architect:
			Engineer:
			Contractor:
			Submitted by:
			Date:

ORTECH reserves the right to modify at any time, without notice, any or all of our product's features, designs, components and specifications to meet market changes.