

MODEL 3/4IN CONN

**WARNING**

WARNING — THE INSTALLATION MUST BE CARRIED OUT BY A QUALIFIED ELECTRICIAN.

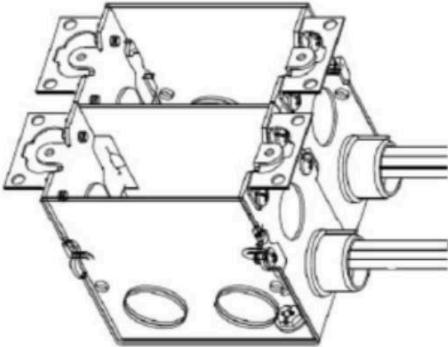
1. Please read the instructions before use
2. Disconnect electrical power before installation

CAUTION

PLEASE READ INSTRUCTION BEFORE COMMENCING INSTALLATION AND RETAIN FOR FUTURE REFERENCES.

Electrical products can cause death or injury, or damage to property.

If in any doubt about the installation or use of this product, consult a competent electrician.

INSTALLATION**INSTALLATION**

1. Disconnect electrical power. Insert connector into knockout
2. Push non-metallic sheathed cable into the connector to desired length

REMOVAL

If necessary, the connector may be removed with a screwdriver.

1. Slip screwdriver under connector and twist
2. Connector pops out of the knockout

REDUCE YOUR LABOUR COSTS

- a) Installs easily — snaps into KO using light finger pressure
- b) Cables inert without a struggle for a smooth installation
- c) Holds wires securely — meets and exceeds UL pullout tests
- d) Simple to remove with a twist of a screwdriver

ORTECH reserves the right to modify at any time, without notice, any or all of our product's features, designs, components and specifications to meet market changes.