

4" Trims

MODEL ODT1-452G



HIGHLIGHTS

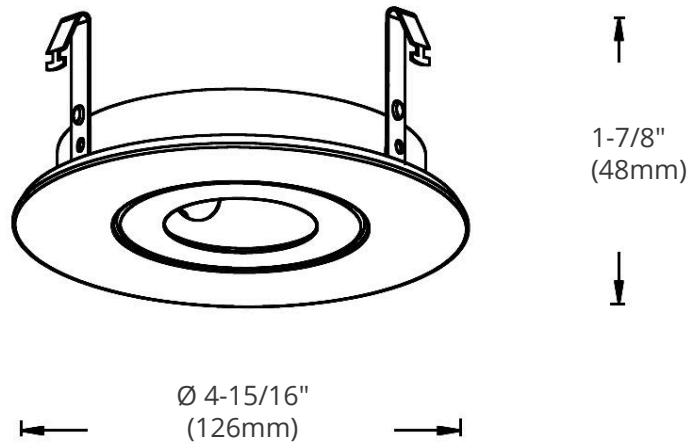
Round 4" MR16 50W Max. voltage gimbal light trim

- To be used in low and line voltage application
- Painted finish is powder coated for abrasion resistance
- Electroplated finish are anodized for abrasion resistance, clear lens included. Steel metal clips secure housing

SPECIFICATIONS

Model	ODT1-452G
Application	Guest room
Material	Metal
Mounting	Suitable for all the 4" recessed can
Lamp Type	MR16 50W Max.

DIMENSIONS



Reference	QTY.	Remarks	Project:
			Location:
			Architect:
			Engineer:
			Contractor:
			Submitted by:
			Date:

ORTECH reserves the right to modify at any time, without notice, any or all of our product's features, designs, components and specifications to meet market changes.