

Receptacles

MODEL MH20-ST



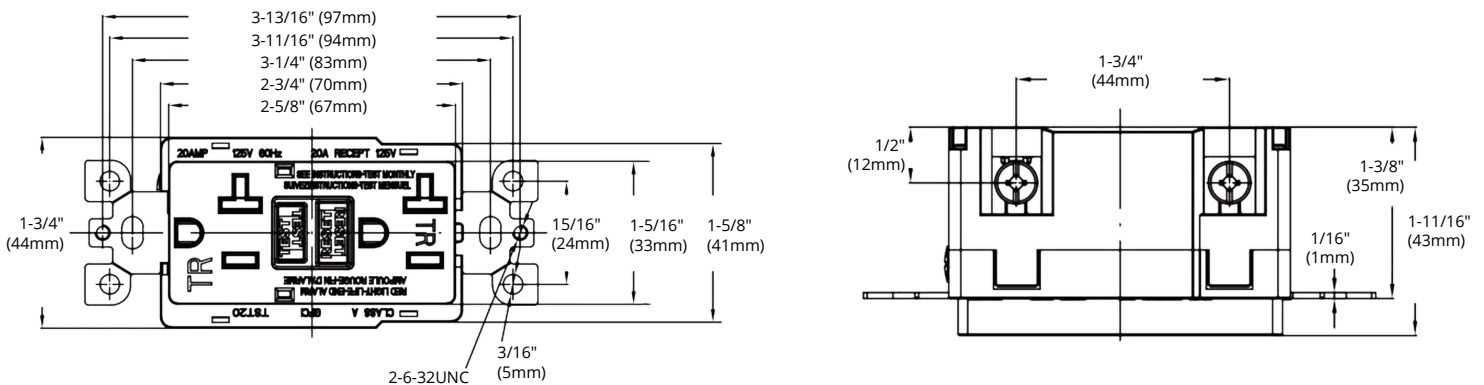
HIGHLIGHTS

- Further durability against electrical noise and moisture corrosion
- Featuring a built-in safety shutter system to prevent insertion of foreign objects into opening
- 2 poles 3 wires 20 amps self-testing tamper resistant GFCI grounding duplex receptacle with wall plate
- Has impact-resistant thermoplastic cover and body & provides protection with periodic automatic testing

SPECIFICATIONS

Model	MH20-ST
Wattage	2400W 20A
Voltage	120V AC
Frequency	60Hz
Trip Level	4-6mA
Trip Time	25ms
Reaction Area	-35°C ~ +66°C
Humidity	95% RH, non-condensing
Operating Temp.	-35°C ~ +66°C

DIMENSIONS



Reference	QTY.	Remarks	Project:
			Location:
			Architect:
			Engineer:
			Contractor:
			Submitted by:
			Date:

ORTECH reserves the right to modify at any time, without notice, any or all of our product's features, designs, components and specifications to meet market changes.