

Switches

MODEL 8207



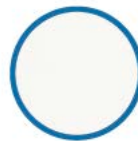
HIGHLIGHTS

- 15a single pole decorative switch
- With two grounding screws

SPECIFICATIONS

Model	8207
Voltage	120V AC
Amps	15A
Base / Cover	Polycarbonate
Power Contacts	Silver-nickel alloy
Terminal Screws	Plated steel
Frame	Polycarbonate
Flammability	UL 94V-2
Operating Temp.	-40°C ~ +65°C

Colour Availability:

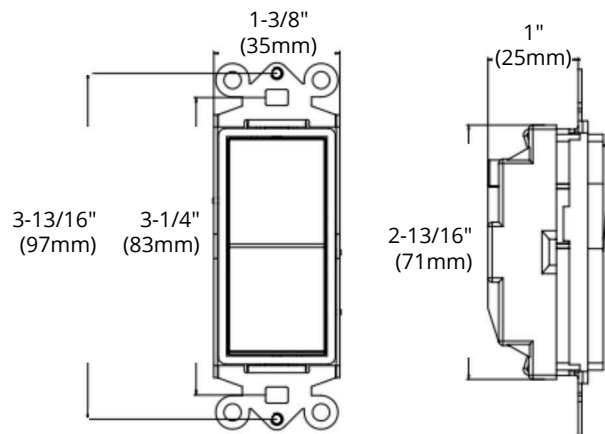


White



Black

DIMENSIONS



Reference	QTY.	Remarks	Project:
			Location:
			Architect:
			Engineer:
			Contractor:
			Submitted by:
			Date:

ORTECH reserves the right to modify at any time, without notice, any or all of our product's features, designs, components and specifications to meet market changes.