

MODEL 3109-3CCT / 3112-3CCT / 3116-3CCT



WARNING

WARNING — THE INSTALLATION MUST BE CARRIED OUT BY A QUALIFIED ELECTRICIAN.

1. LED Flush Mounts are suitable for using in damp locations
2. Please keep the LED Flush Mounts away from any corrosive substance, and please use dry cloth when you clean it
3. LED Flush Mounts can only be installed by a qualified electrician
4. Before installation or maintenance, please disconnect the power to prevent electric shock

Application Notice

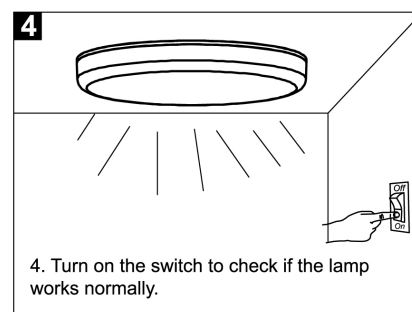
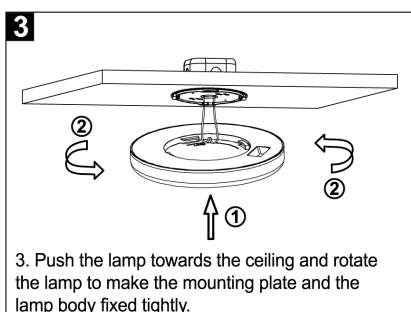
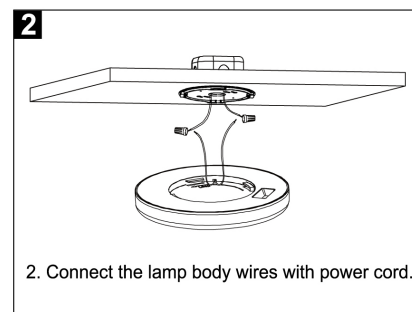
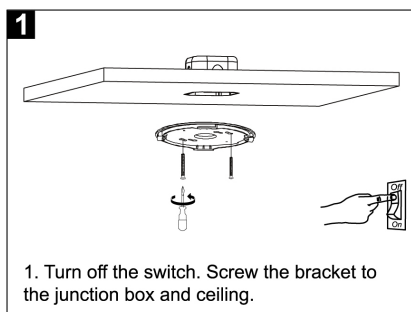
1. Turn OFF the power supply at the fuse or circuit breaker box before you install the fixture
2. Ground the fixture to avoid potential electric shocks and to ensure reliable starting
3. Double-check all connections to be sure they are tight and correct
4. Wear rubber soled shoes and work on a sturdy wooden ladder
5. This fixture is designed for use in a circuit protected by a fuse or circuit breaker. The fixture is also designed to be installed in accordance with local electrical codes. If you are unsure about your wiring, consult a qualified electrician or local electrical inspector, and check your local electrical code
6. **WARNING — RISK OF CUTS:** Some metal parts in the fixture may have sharp edges. To prevent cuts and scrapes, wear gloves when handling the parts
7. **WARNING — RISK OF FIRE:** Use 120V AC 50/60Hz circuits
8. **DO NOT** change the LED light source or driver inside under any circumstance
9. **DO NOT** cover the fixture with any heat insulated materials

CAUTION

1. **WARNING:** Risk of fire.
2. Before installing your lighting fixture, thoroughly review enclosed installation manual. If you do not have sufficient electrical wiring experience, please refer to a do-it-yourself wiring handbook or have your fixture installed by a qualified licensed electrician. All electrical connections must be in accordance with local standards. Reliable operating temperature is -20 to +40 degrees.
3. Please obey fire prevention regulations, do not cover the fixture with any heat insulated materials.
4. Do not change the LED light source or driver inside under any circumstance.

INSTALLATION GUIDE

Surface Mounting Installation



ORTECH reserves the right to modify at any time, without notice, any or all of our product's features, designs, components and specifications to meet market changes.