

## MODEL OE-212



### WARNING

#### WARNING — THE INSTALLATION MUST BE CARRIED OUT BY A QUALIFIED ELECTRICIAN.

1. LED Emergency Lights are for INDOOR USE ONLY
2. Please keep the LED Emergency Lights away from any corrosive substance, and please use dry cloth when you clean it
3. LED Emergency Lights can only be installed by a qualified electrician
4. Before installation or maintenance, please disconnect the power to prevent electric shock

#### Application Notice

1. All electrical connections MUST be in accordance with local codes, ordinances and the National Electric Code
2. Equipment should be mounted in locations and at heights where it will not be subjected to tampering by unauthorized personnel
3. The use of accessory equipment is not recommended by the manufacturer. DO NOT use the Emergency Light other than intended use
4. Replace the batteries as needed according to ambient conditions. We recommend the equipment be tested regularly in accordance with local codes
5. Press the test button, the LED heads will turn ON and the LED indicator will turn OFF. Release the test switch, LED indicator will turn ON and the LED heads OFF
6. If LED heads or indicator does not illuminate, check: 1) AC supply, verify the unit has 24 hours of AC supply 2) Unit is shortened or battery not connected 3) Battery discharge. Permit unit to charge for 24 hours then re-test
7. DO NOT mount in hazardous locations or near gas or electric heaters. DO NOT let power cords touch hot surfaces
8. Disconnect power at fuse or circuit breaker before installing or servicing
9. Allow battery to charge for 24 hours before first use

### CAUTION

PLEASE READ INSTRUCTION BEFORE COMMENCING INSTALLATION AND RETAIN FOR FUTURE REFERENCES.

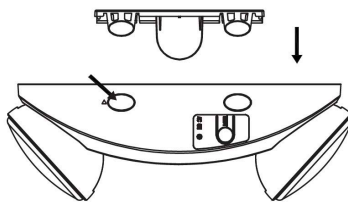
Electrical products can cause death or injury, or damage to property.

If in any doubt about the installation or use of this product, consult a competent electrician.



### INSTALLATION GUIDE

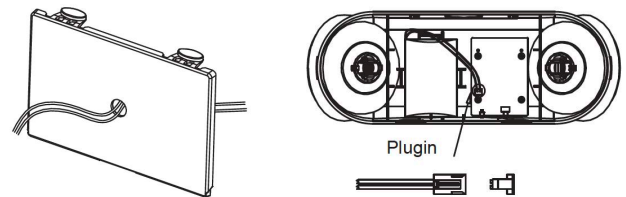
#### Wall Mount Installation



**Max Mounting Height:**  
16.2ft (4.9m)

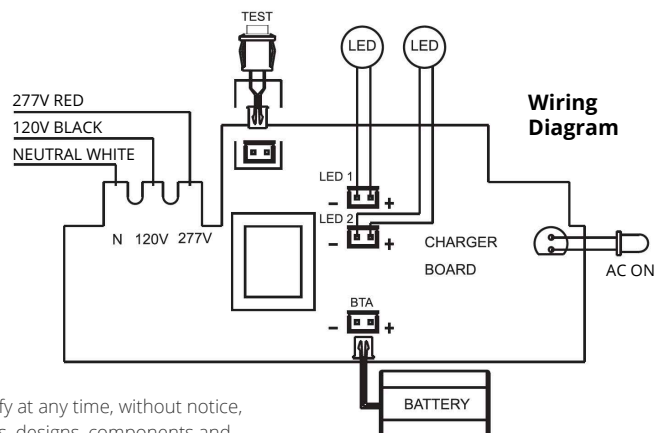
1. Press the buttons to take out the back plate from the fixture
2. Remove knockout on back plate and mount J-Box to backplate
3. Knockout centre of backplate and feed wires through hole
4. Secure backplate to J-Box
5. Connect J-Box wires to power supply wires using the wire nuts provided. Connect the WHITE wire to NEUTRAL:  
If using 120V, connect the BLACK wire to hot lead.  
If using 277V, connect the RED wire to hot lead. Cap unused lead.  
Place wires into J-Box (refer to the wiring diagram on the right)
6. Snap front cover onto backplate
7. Restore power and press test button. LED heads will turn ON
8. Adjust lamp heads and lens direction as per your needs

#### Ceiling Mount Installation



Refer to wall mount installation instruction on the left:

1. Mount back plate on ceiling surface
2. Feed building AC supply wire through backplate
3. Connect fixture power supply wires using wire nuts provided



ORTECH reserves the right to modify at any time, without notice, any or all of our product's features, designs, components and specifications to meet market changes.