

# LED Emergency Lights

## MODEL OE-216-72W | OE-216-150W



### HIGHLIGHTS

LED Dual Head Emergency Light with simple and modern design and high efficiency LED remote heads

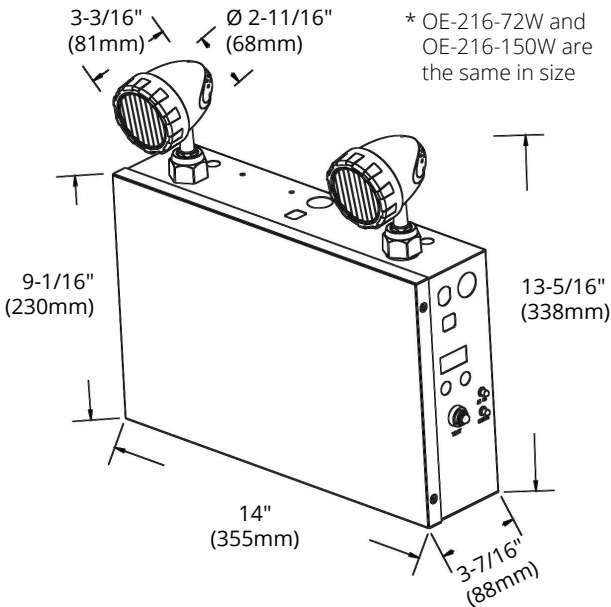
- Has 2 pieces 2W ultra bright LED lamp heads for emergency mode and 120V/277V/347V AC triple voltage operation
- Universal mounting pattern and key hole slots are stamped on the back and conduit knockouts on the sides of each unit
- Comes with built-in 12V 7Ah (OE-216-72W) / 2\*6V 12Ah (OE-216-150W) Lead-Acid battery for up to 2 hours of emergency operation
- Made of steel housing with lightweight thermal plastic head in matching colour, and has UL94V-0 flame rating
- Full recharge time is maximum 24 hours and is suitable for +10°C to +40°C indoor damp locations
- Provides overcharge & over-discharge protection
- Includes test switch and charge indicator
- Fast and Easy installation in minutes
- More than 200 lmn

### SPECIFICATIONS

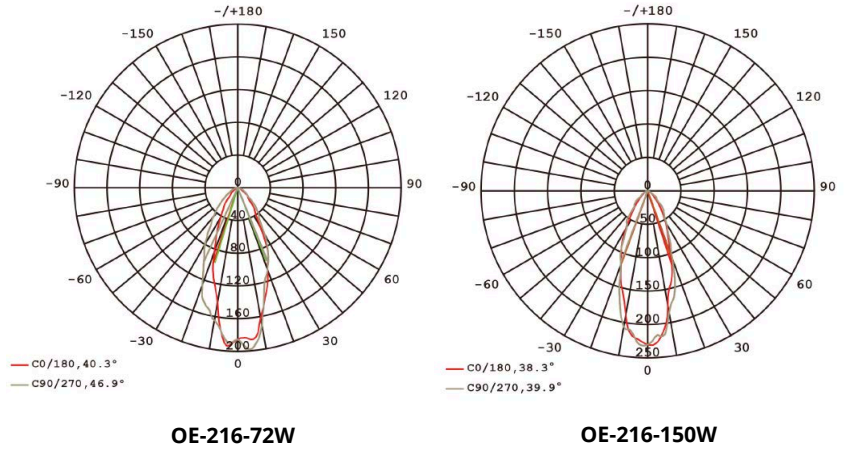
Model	<b>OE-216-72W</b>	<b>OE-216-150W</b>
Wattage	72W Max.	150W Max.
Voltage	120V AC or 277V AC or 347V AC / 60Hz	120V AC or 277V AC or 347V AC / 60Hz
AC Charging Current	160mA AC Max.	0.2A AC Max.
DC Charging Voltage	10.5-14.8V DC	10.5-14.8V DC
DC Charging Current	630mA DC	830mA DC Max.
Lumens	260 lmn	260 lmn
Material	Steel housing & light weight thermal polymeric heads in matching colour	
Battery	12V 7Ah	2pcs 6V 12Ah
Battery Type	Lead-Acid Battery	Lead-Acid Battery
Emergency Duration Time	150W at 30mins battery backup time / 65W at 90mins battery backup time / 45W at 120mins battery backup time	
Discharge Current	0.3-6.3A	0.3-12.8A
Charging Time	24 hours	24 hours
Colour Temp.	6500K (Cool White)	6500K (Cool White)
Operating Temp.	+10°C ~ +40°C	+10°C ~ +40°C
Warranty	5 years	5 years

## MODEL OE-216-72W | OE-216-150W

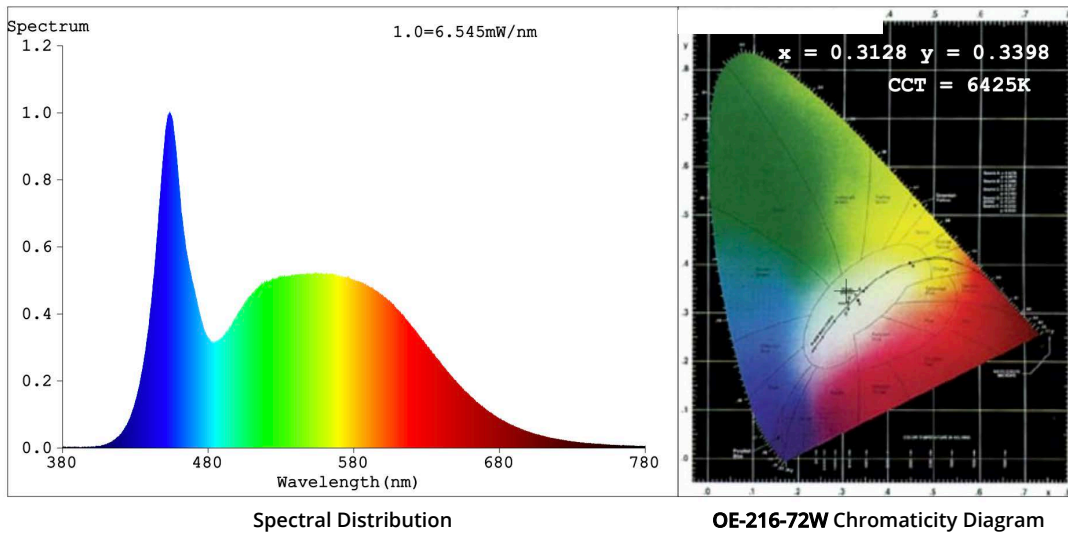
### DIMENSIONS & TESTING REPORT



### Light Distribution Curves



### SPECTRA



#### Colourimetric Parameters

Chromaticity Coordinate:  $x = 0.3128$   $y = 0.3398$  /  $u' = 0.1939$   $v' = 0.4740$   
 CCT= 6425K (Duv=0.0086) Dominant WL: Ld=495.7nm Purity=6.6%  
 Peak WL: Lp=453.5nm FWHM: =26.6nm Ratio:R=13.1% G=80.9% B=6.0%  
 Render Index: Ra = 83.2 CRI = 75.8 AvgR = 75.7  
 R1 =80 R2 =89 R3 =94 R4 =80 R5 =81 R6 =85 R7 =88  
 R8 =67 R9 =2 R10=74 R11=80 R12=59 R13=83 R14=97 R15=74

#### Photometric & Radiometric Parameters

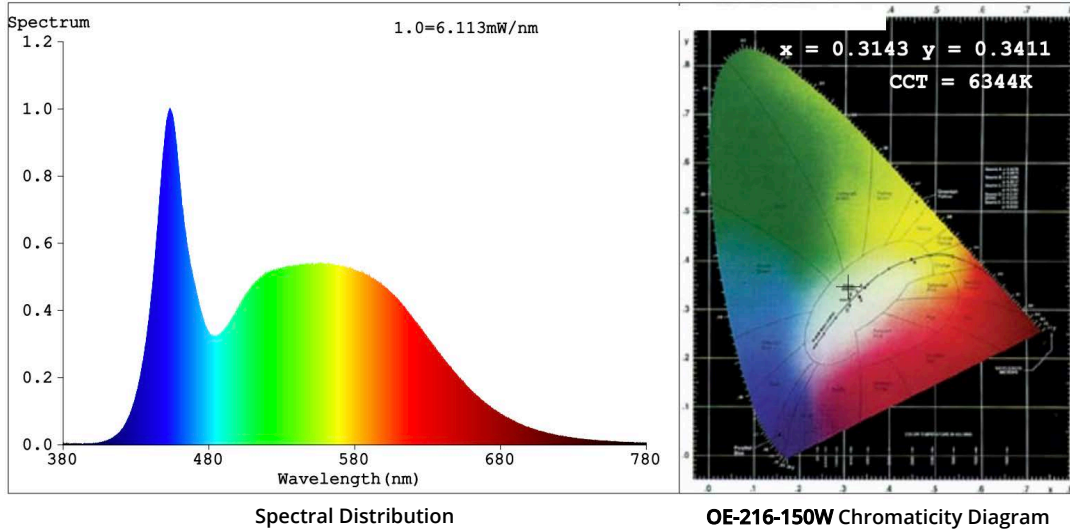
Flux = 223.5 lm Eff. : 0.00 lm/W Fe = 711.7 mW

#### Electrical parameters

V = 0 V I = 0 A P = 0 W PF = 0

### OE-216-72W

### SPECTRA



#### Colourimetric Parameters

Chromaticity Coordinate:  $x = 0.3143$   $y = 0.3411$  /  $u' = 0.1945$   $v' = 0.4749$   
 CCT= 6344K (Duv=0.0085) Dominant WL:  $\lambda_d=497.0\text{nm}$  Purity=6.0%  
 Peak WL:  $\lambda_p=453.2\text{nm}$  FWHM: =27.2nm Ratio:R=13.2% G=80.9% B=5.9%  
 Render Index: Ra = 83.1 CRI = 75.7 AvgR = 75.6  
 R1 =80 R2 =89 R3 =94 R4 =81 R5 =81 R6 =85 R7 =88  
 R8 =67 R9 =2 R10=74 R11=80 R12=60 R13=83 R14=97 R15=74

#### OE-216-150W

#### Photometric & Radiometric Parameters

Flux = 216.0 lm Eff. : 0.00 lm/W Fe = 686.6 mW

#### Electrical parameters

V = 0 V I = 0 A P = 0 W PF = 0

Reference	QTY.	Remarks	Project:
			Location:
			Architect:
			Engineer:
			Contractor:
			Submitted by:
			Date:

ORTECH reserves the right to modify at any time, without notice, any or all of our product's features, designs, components and specifications to meet market changes.