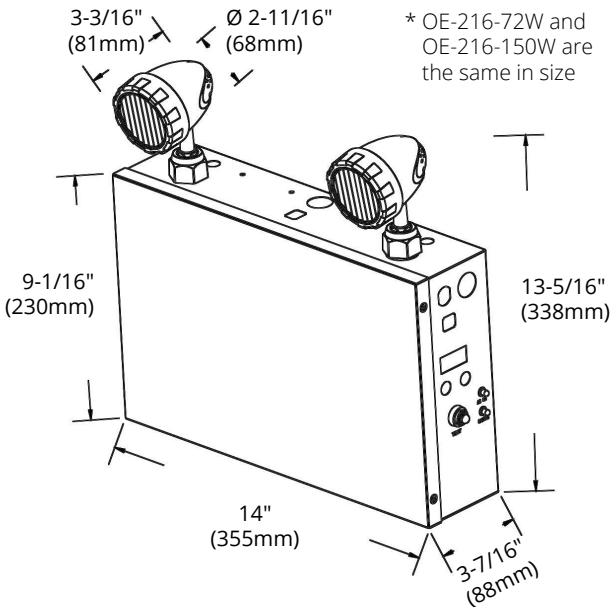
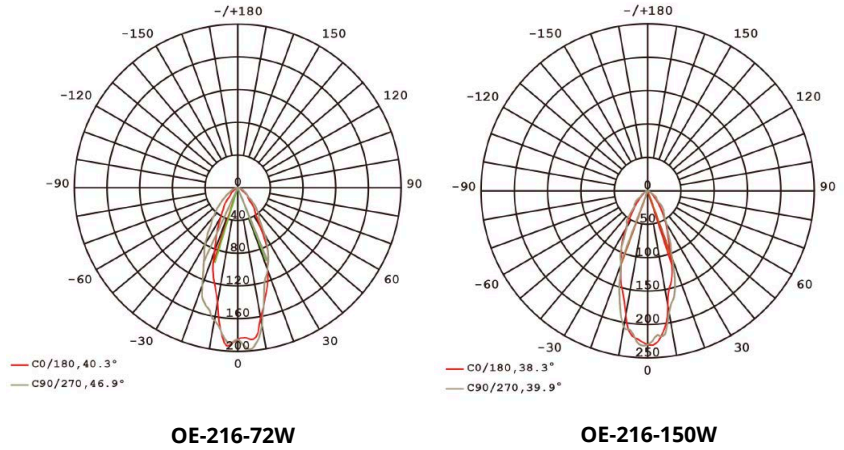


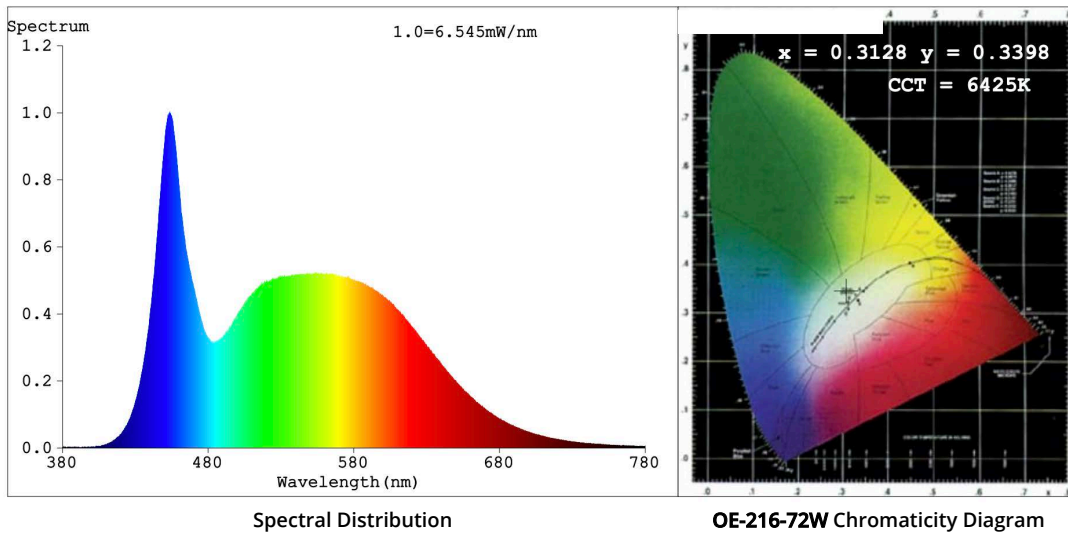
DIMENSIONS & TESTING REPORT



Light Distribution Curves



SPECTRA



Colourimetric Parameters

Chromaticity Coordinate: $x = 0.3128$ $y = 0.3398$ / $u' = 0.1939$ $v' = 0.4740$
 CCT= 6425K (Duv=0.0086) Dominant WL: $L_d=495.7\text{nm}$ Purity=6.6%
 Peak WL: $L_p=453.5\text{nm}$ FWHM: =26.6nm Ratio:R=13.1% G=80.9% B=6.0%
 Render Index: $R_a = 83.2$ CRI = 75.8 AvgR = 75.7
 R1 =80 R2 =89 R3 =94 R4 =80 R5 =81 R6 =85 R7 =88
 R8 =67 R9 =2 R10=74 R11=80 R12=59 R13=83 R14=97 R15=74

Photometric & Radiometric Parameters

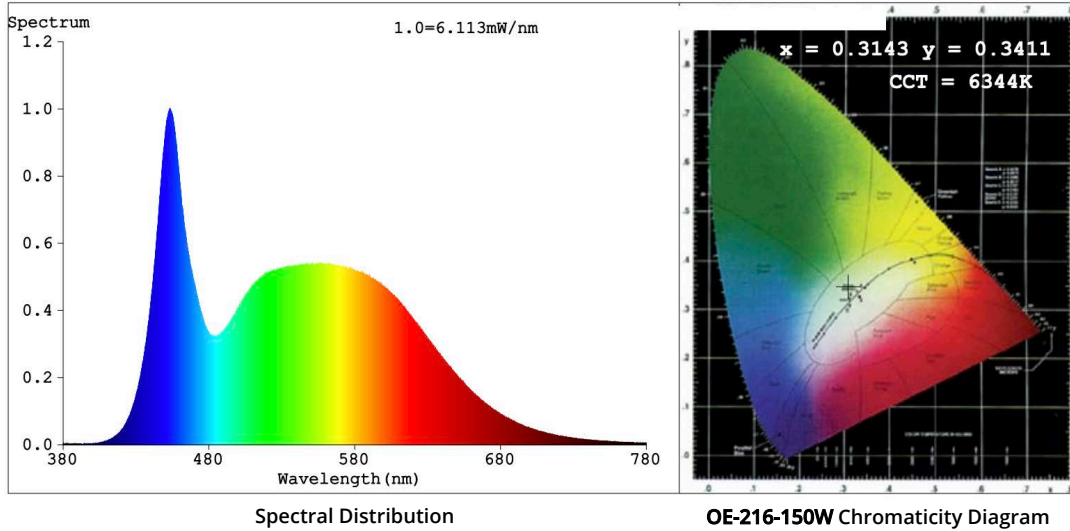
Flux = 223.5 lm Eff. : 0.00 lm/W Fe = 711.7 mW

OE-216-72W

Electrical parameters

V = 0 V I = 0 A P = 0 W PF = 0

SPECTRA



Colourimetric Parameters

Chromaticity Coordinate: $x = 0.3143$ $y = 0.3411$ / $u' = 0.1945$ $v' = 0.4749$
 CCT= 6344K (Duv=0.0085) Dominant WL: Ld=497.0nm Purity=6.0%
 Peak WL: Lp=453.2nm FWHM: =27.2nm Ratio:R=13.2% G=80.9% B=5.9%
 Render Index: Ra = 83.1 CRI = 75.7 AvgR = 75.6
 R1 =80 R2 =89 R3 =94 R4 =81 R5 =81 R6 =85 R7 =88
 R8 =67 R9 =2 R10=74 R11=80 R12=60 R13=83 R14=97 R15=74

OE-216-150W

Photometric & Radiometric Parameters

Flux = 216.0 lm Eff. : 0.00 lm/W Fe = 686.6 mW

Electrical parameters

V = 0 V I = 0 A P = 0 W PF = 0

ORTECH reserves the right to modify at any time, without notice, any or all of our product's features, designs, components and specifications to meet market changes.

Reference	QTY.	Remarks	Project:
			Location:
			Architect:
			Engineer:
			Contractor:
			Submitted by:
			Date: