

LED Emergency Heads

MODEL OE-703-1H



HIGHLIGHTS

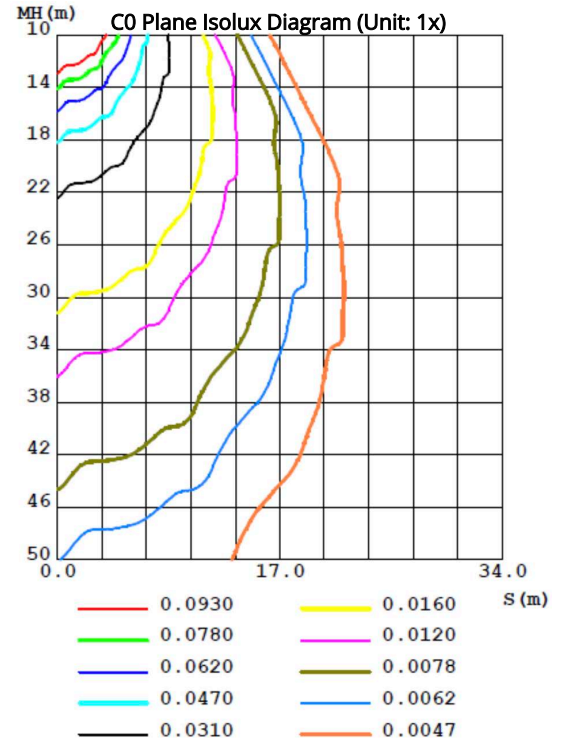
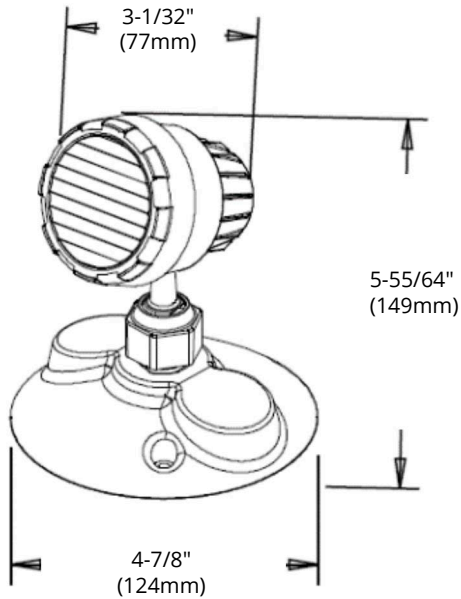
- LED emergency single head for wall and ceiling mounting
- Injection-molded thermoplastic ABS housing
- UL-94V-0 flame rating, fire retardant
- Super bright SMD LED 2W

SPECIFICATIONS

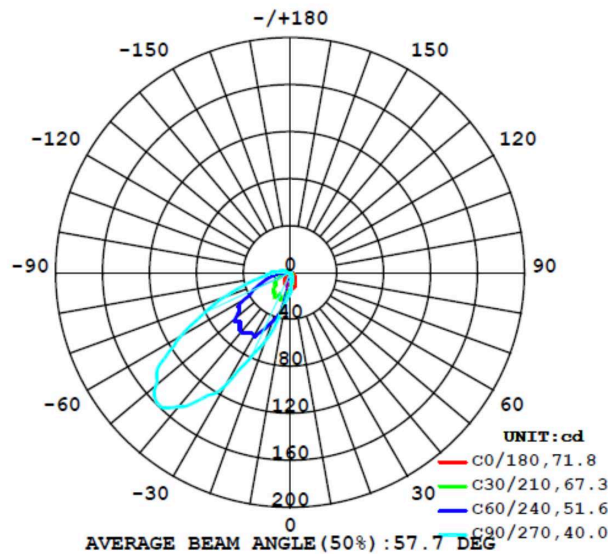
Model	OE-703-1H
Wattage	2W
Voltage	3.6-15V DC
Lifetime	50000 hours
Dimmable	No
Rating	Non-IC Rated / Indoor use / for Dry location
Grade of Protection	IP 20
Application	Office / Warehouses / Hotel / School, etc.
Colour Temperature	6500-7500K (Cool White)
Operating Temperature	0°C ~ +40°C
Insulation	II, Range: 80m ² /860ft ²

MODEL OE-703-1H

DIMENSIONS & TESTING REPORT



Luminous Intensity Distribution Diagram



ORTECH reserves the right to modify at any time, without notice, any or all of our product's features, designs, components and specifications to meet market changes.

Reference	QTY.	Remarks	Project:
			Location:
			Architect:
			Engineer:
			Contractor:
			Submitted by:
			Date: