

MODEL OE-703-1H



WARNING

WARNING — THE INSTALLATION MUST BE CARRIED OUT BY A QUALIFIED ELECTRICIAN.

1. LED Emergency Head is suitable for using in dry location
2. Please keep the LED Emergency Head away from any corrosive substance, and please use dry cloth when you clean it
3. LED Emergency Head can only be installed by a qualified electrician
4. Before installation or maintenance, please disconnect the power to prevent electric shock

Application Notice

1. All electrical connections MUST be in accordance with local codes, ordinances and the National Electric code
2. Disconnect power at fuse or circuit breaker before installing or servicing
3. DO NOT use outdoors or mount in hazardous locations, or near gas or electric heaters
4. Equipment should be mounted in locations and at heights where it will not be subjected to tampering by unauthorized personnel
5. The use of accessory equipment not recommended by the manufacturer may cause an unsafe condition
6. DO NOT use this equipment for other than its intended use
7. All servicing should be performed by qualified personnel only
8. DO NOT let power cords touch hot surface

CAUTION

PLEASE READ INSTRUCTION BEFORE COMMENCING INSTALLATION AND RETAIN FOR FUTURE REFERENCES.

Electrical products can cause death or injury, or damage to property.

If in any doubt about the installation or use of this product, consult a competent electrician.

INSTALLATION GUIDE

Electrical Connections

1. Feed the wires through the hole on the bottom and twist the nut to fix it (see Fig.1 below)
2. Connect the wires to proper power supply and fix it on the wall with screws (see Fig.2 and Fig.3 below)
3. The max. mounting height is 7.5ft

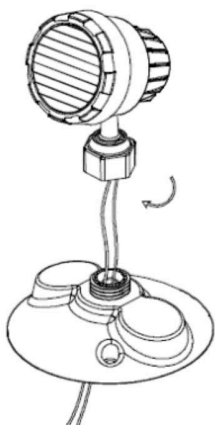


Fig.1

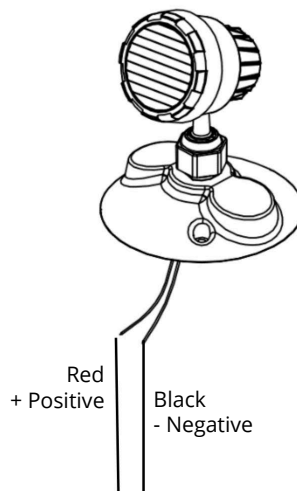


Fig.2

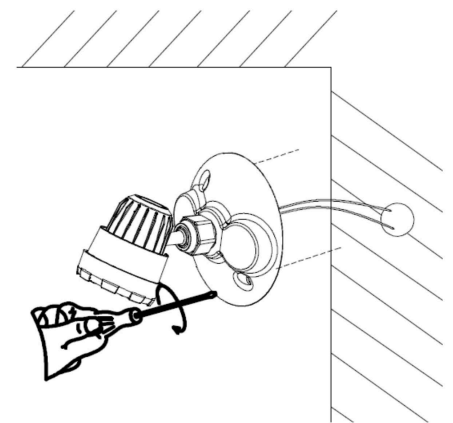


Fig.3

ORTECH reserves the right to modify at any time, without notice, any or all of our product's features, designs, components and specifications to meet market changes.