

LED Emergency Heads

MODEL OE-703H



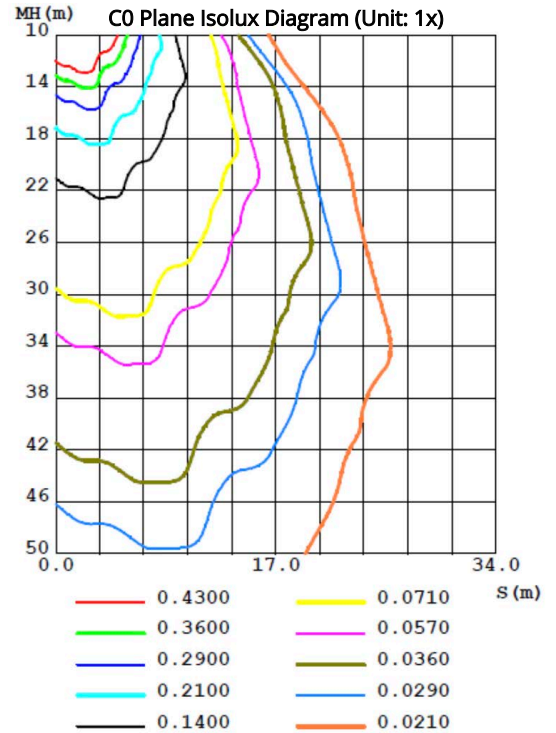
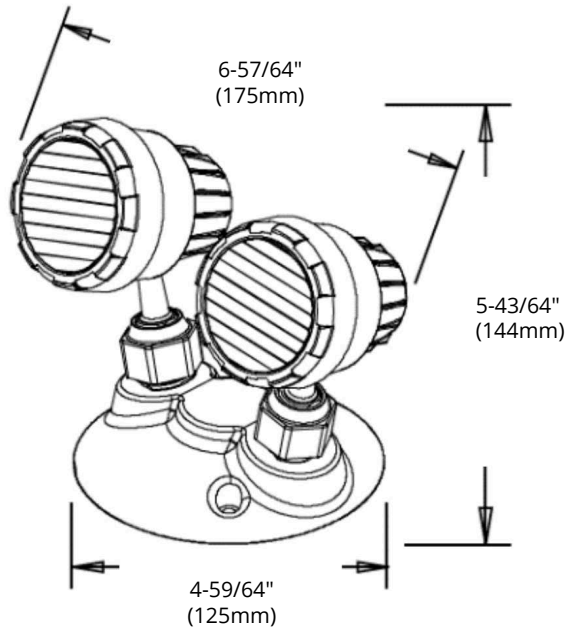
HIGHLIGHTS

- LED emergency dual heads for wall and ceiling mounting
- Injection-molded thermoplastic ABS housing
- UL-94V-0 flame rating, fire retardant
- Super bright SMD LED 2 X 2W

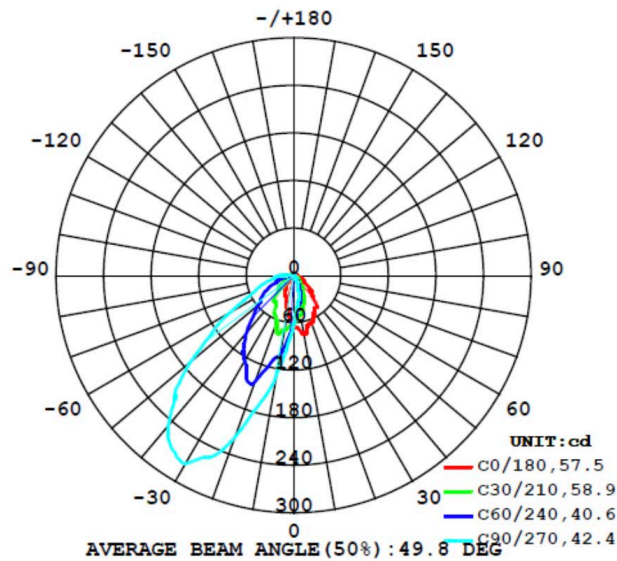
SPECIFICATIONS

Model	OE-703H
Wattage	4W
Voltage	3.6-24V DC
Lifetime	50000 hours
Dimmable	No
Rating	Non-IC Rated / Indoor use / for Dry location
Grade of Protection	IP 20
Application	Office / Warehouses / Hotel / School, etc.
Colour Temperature	6500-7500K (Cool White)
Operating Temperature	0°C ~ +40°C
Insulation	II, Range: 80m ² /860ft ²

DIMENSIONS & TESTING REPORT



Luminous Intensity Distribution Diagram



ORTECH reserves the right to modify at any time, without notice, any or all of our product's features, designs, components and specifications to meet market changes.

Reference	QTY.	Remarks	Project:
			Location:
			Architect:
			Engineer:
			Contractor:
			Submitted by:
			Date: