



WARNING

WARNING — THE INSTALLATION MUST BE CARRIED OUT BY A QUALIFIED ELECTRICIAN.

1. LED Exit Signs are suitable for indoor use only. DO NOT use outdoors
2. Please keep the LED Exit Signs away from any corrosive substance
3. LED Exit Signs can only be installed by a qualified electrician
4. Before installation or maintenance, please disconnect the power at fuse or circuit breaker to prevent electric shock

Application Notice

1. All electrical connections must be in accordance with local codes, ordinances and the National Electric code
2. DO NOT mount in hazardous locations, or near gas or electric heaters
3. DO NOT let power cords touch hot surface
4. Equipment should be mounted in locations and at heights where it will not be subjected to tampering by unauthorized personnel
5. The use of accessory equipment not recommended by the manufacturer may cause an unsafe condition
6. DO NOT use LED Exit Signs for other than intended use
7. Allow battery to charge for 24 hours before first use

CAUTION

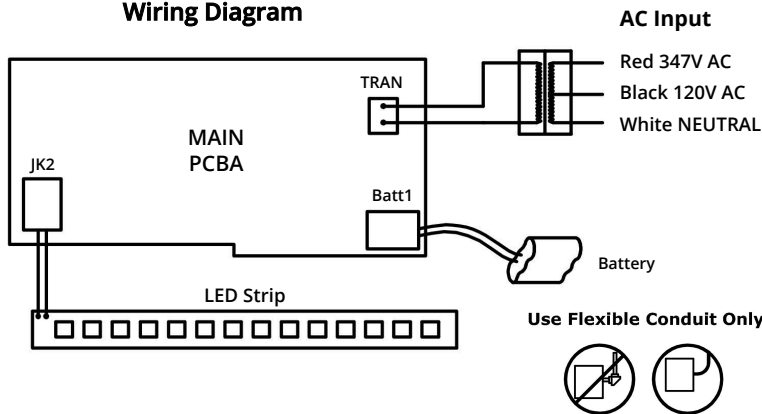
PLEASE READ INSTRUCTION BEFORE COMMENCING INSTALLATION AND RETAIN FOR FUTURE REFERENCES.

Electrical products can cause death or injury, or damage to property.

If in any doubt about the installation or use of this product, consult a competent electrician.

INSTALLATION GUIDE

Wiring Diagram



AC Wiring

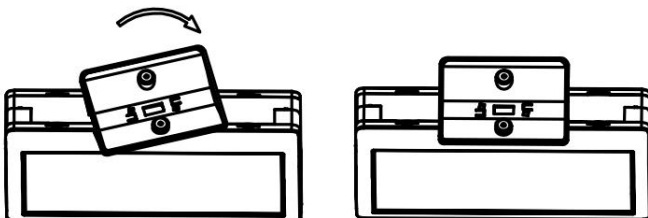
1. Connect the WHITE wire to NEUTRAL
2. If using 120V, connect the BLACK wire to the hot lead
3. If using 347V, connect the RED wire to the hot lead
4. Cap the unused lead

UDC Wiring

1. 6-24V DC input, YELLOW wire is positive (+)
2. PURPLE is negative (-)

Canopy Assembly

1. Insert canopy into housing at 20° and twist
2. Quick snap is now locked firmly
3. Trying to remove when canopy is locked in place may cause damage



MODEL OE-DC126

INSTALLATION GUIDE

Mounting Instruction

The fixture is suitable for wall mounting, side mounting, ceiling mounting.

1. Open front cover by blade screwdriver (see Fig.1 below)
2. Knockout appropriate mount screw hole and cable hole, mount back plate on the wall after feed building AC supply cable into back plate (see Fig.2 below for more details)
3. For ceiling and side mounting purpose, remove the mounting hole cover on the top or side of the unit (see Fig.2,3,4), assemble the canopy on the unit (see Canopy Assembly diagram on page 1 of this instruction manual)
4. Attach crossbar to junction box, set the longer blade of crossbar touching the J-Box
5. Route the proper wires through mounting hole out of housing
6. Make electrical connections inside the J-Box like the wiring diagram on page 1 of this instruction manual
7. Push excess wire into J-Box, use screws to tighten canopy to crossbar so that canopy is securely fastened and tight against the wall
8. Attach battery connector to PC board, restore front cover on unit
9. If pictogram direction assembled not suitable, pictogram can take out for change direction or replace pictogram, and then insert into the diffuser easily (see Fig.5)

