

MODEL SLIM-RG3-5CCT



WARNING

WARNING — THE INSTALLATION MUST BE CARRIED OUT BY A QUALIFIED ELECTRICIAN.

1. LED Slim Lights are suitable for indoor use only. DO NOT use outdoors
2. Please keep the LED Slim Lights away from any corrosive substance, and please use dry cloth when you clean them
3. LED Slim Lights can only be installed by a qualified electrician
4. Before installation or maintenance, please disconnect the power to prevent electric shock



Application Notice

1. For your safety, this fixture **MUST** be wired in accordance to local electrical codes and ordinances
2. Turn power off from the electrical panel before starting installation or attempting any maintenance. Indoor installation only

CAUTION

PLEASE READ INSTRUCTION BEFORE COMMENCING INSTALLATION AND RETAIN FOR FUTURE REFERENCES.

Electrical products can cause death or injury, or damage to property.

If in any doubt about the installation or use of this product, consult a competent electrician.

INSTALLATION GUIDE

Tools Required

- Saw
- Measuring Tape
- Electrical Wiring (use type and gauge suitable for application to connect the fixtures)

Driver Wiring

1. Open the hardwire box swing cover and remove the appropriate knockout(s)
2. Insert the electrical supply cable through the knockout and secure with a cable connector (sold separately)
3. Using wire nuts, connect GREEN ground wire of cable to GREEN wire on box. Connect WHITE wire of cable to WHITE wire of box. Connect BLACK wire of cable to BLACK wire of box (see Fig.1)
4. Place all wiring and connections back into the box and close the cover
5. Insert hardwire box through the mounting hole (see Fig.2).

New Construction Applications:

Hardwire box shall be firmly secured to studs, joists, or similar fixed structural units

Remodel Applications:

DO NOT require the hardwire box to be firmly secured after the mounting plates, studs, joists, or structural units have been concealed

Pre-installation

1. Turn power OFF from the electrical panel before starting installation
2. Locate a suitable position to plate the fixture and open in accordance to the cut-hole dimensions
3. Run electrical wire from the switch (power supply) through the mounting hole — use NMD90 Romex or BX cable

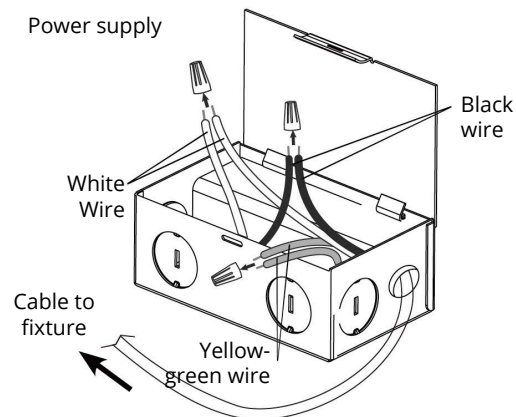


Fig.1

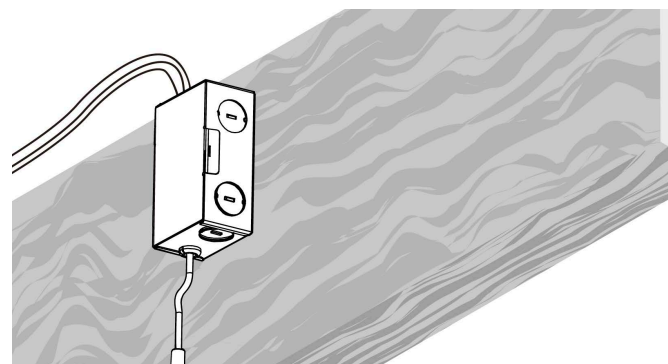


Fig.2

INSTALLATION GUIDE

Fig.3

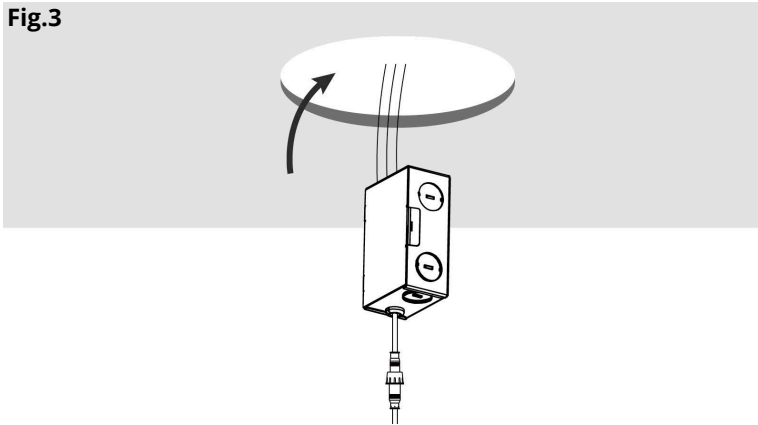


Fig.4

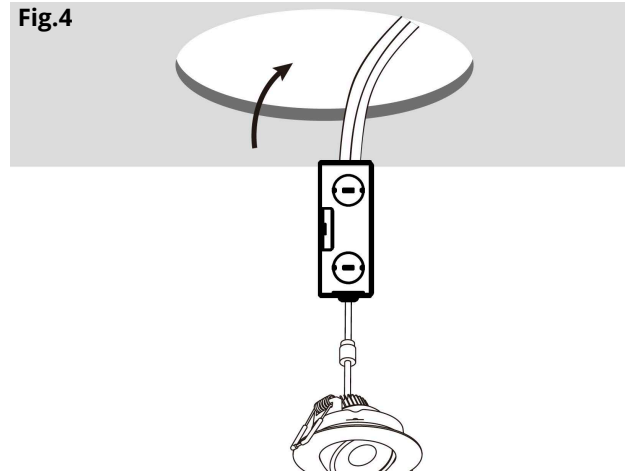


Fig.5

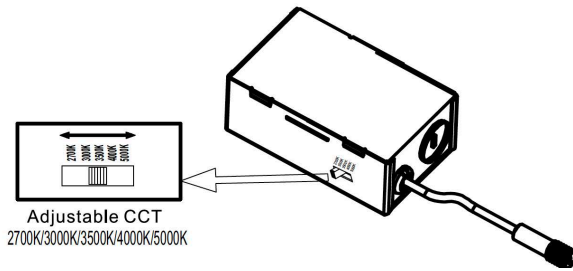
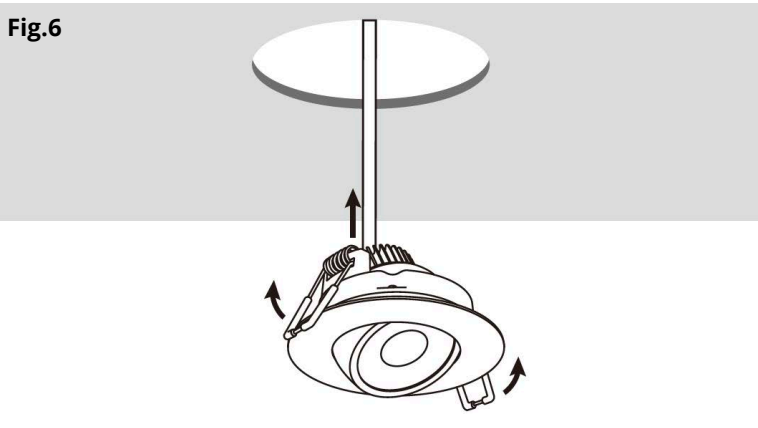


Fig.6



Fixture Installation

1. Connect the fixture to the hardwire box by inserting and twisting the male / female connectors (see Fig.3 and 4)
2. Select desired colour temperature using the selector button at the back of the fixture (preset to 3000K — warm white) (see Fig.5)
3. Push spring loaded clips on the fixture upwards and insert fixture base into the mounting hole. Release the clips and fixture will be pulled flush to the ceiling (see Fig.6)
4. Once assembly is complete, turn ON power to confirm that fixture is working properly

Compatible Dimmer List

BRAND	FAMILY	MODEL
LUTRON	SKYLARK CONTOUR	CTCL-153P
		DVCL-153PDH
		CT-600P
	DIVA	DVCL-153P
LEVITON	DECORA	6672
		6674
PASS & SEYMOUR	HARMONY	HCL453PTCCCV6

ORTECH reserves the right to modify at any time, without notice, any or all of our product's features, designs, components and specifications to meet market changes.