

MODEL SLIM3CONT-WH



WARNING

WARNING — THE INSTALLATION MUST BE CARRIED OUT BY A QUALIFIED ELECTRICIAN.

1. LED Slim Lights are suitable for indoor use only. DO NOT use outdoors
2. Please keep the LED Slim Lights away from any corrosive substance, and please use damp or dry cloth when you clean them
3. LED Slim Lights can only be installed by a qualified electrician
4. Before installation or maintenance, please disconnect the power to prevent electric shock

Application Notice

1. For your safety, check with local and national codes for proper installation
2. To prevent electrical shock, disconnect electrical supply before installation or servicing
3. DO NOT modify the fixture. Any modifications may render the product unsafe and void the warranty

CAUTION

PLEASE READ INSTRUCTION BEFORE COMMENCING INSTALLATION AND RETAIN FOR FUTURE REFERENCES.

Electrical products can cause death or injury, or damage to property.

If in any doubt about the installation or use of this product, consult a competent electrician.

INSTALLATION GUIDE

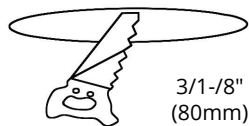


Fig.1

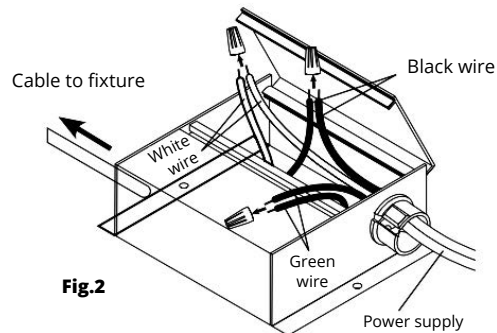


Fig.2

1. Turn power off from the electrical panel prior to installation
2. Determine the location where you want to install the fixture and cut a 3-1/8" (80mm) hole in the ceiling according to the template on the box (see Fig.1)
3. Open the junction box cover and remove the appropriate knockout(s) on the side panel (see Fig.2)
4. Insert the electrical supply cable through the knockout and secure with a cable connector (sold separately)
5. Using quick-connect push-in terminals, connect the ground wire to the ground wire terminal; black wire to black wire terminal; white wire to white wire terminal (See Fig.2)
6. Place all wiring and connections back into the junction box and close the cover. Connect the driver to the light panel
7. Insert the junction box through the mounting hole (see Fig.3)
8. Push clips on the fixture upwards and insert fixture base into the mounting hole. Release the clips and fixture will be pulled flush to the ceiling (see Fig.4)

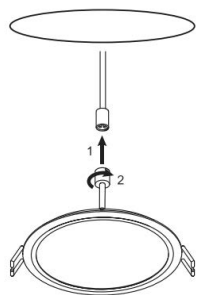


Fig.3

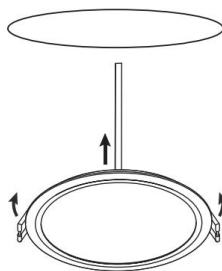


Fig.4