

## MODEL OLT2-412-WH



### WARNING

**WARNING — THE INSTALLATION MUST BE CARRIED OUT BY A QUALIFIED ELECTRICIAN.**

1. LED Slim Lights are suitable for using in damp locations
2. Please keep the LED Slim Lights away from any corrosive substance, and please use dry cloth when you clean it
3. LED Slim Lights can only be installed by a qualified electrician
4. Before installation or maintenance, please disconnect the power to prevent electric shock

### Application Notice

1. NOT all existing recessed housings that meet these requirements are compatible with the LED Downlight
2. The LED Downlight is designed to be installed in standard 4" (101mm) recessed light downlight housing. Suitable for damp locations
3. It may be necessary to remove socket mounting plate for adequate clearance. Each lamp holder shall be installed only in its intended manner
4. Compatible of housing not on the list on this instruction manual may be determined by measurement of the housing as detailed in Fig.1
5. To prevent wiring damage or abrasion, DO NOT expose wiring to edge of metal sheet or other sharp objects
6. DO NOT make or alter any open holes in the enclosure of wiring or electrical components during kit installation
7. Compatible with most dimmers when used with multiple LED downlight fixtures

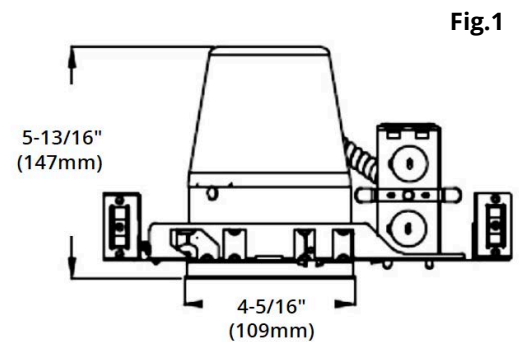
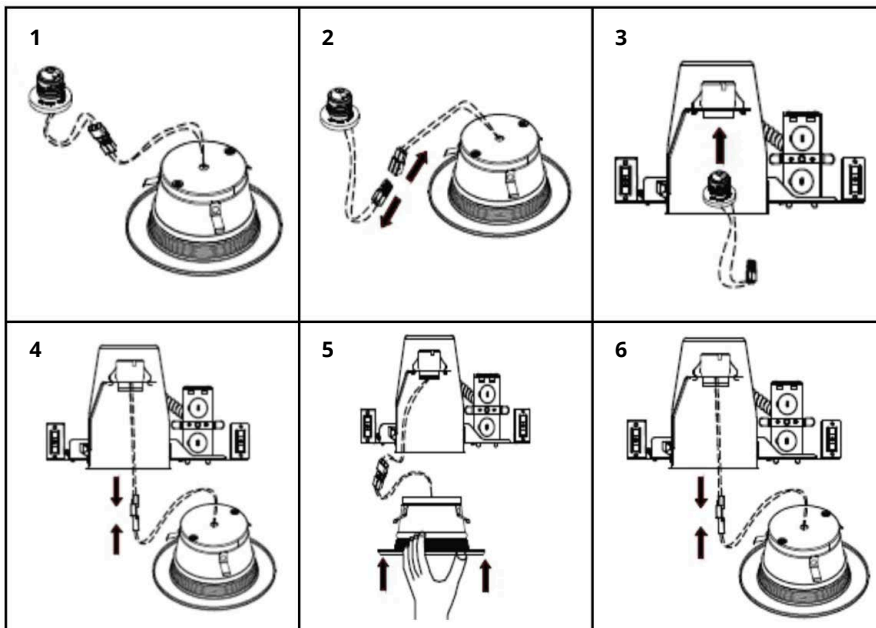
### CAUTION

**PLEASE READ INSTRUCTION BEFORE COMMENCING INSTALLATION AND RETAIN FOR FUTURE REFERENCES.**

**Electrical products can cause death or injury, or damage to property.**

**If in any doubt about the installation or use of this product, consult a competent electrician.**

### INSTALLATION GUIDE



Minimum distance between edge of fixture and top of housing or other obstruction

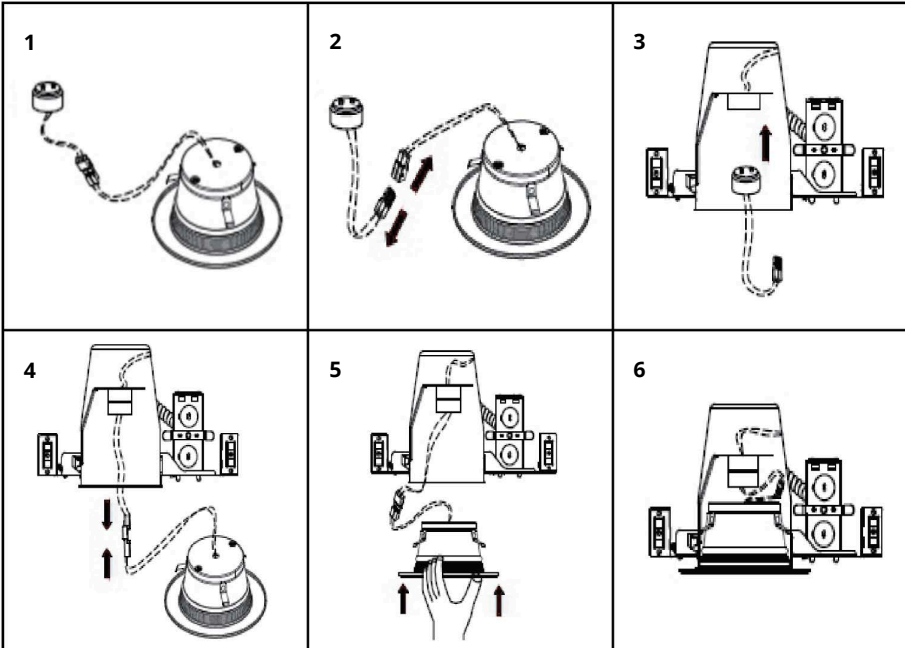
1. Remove LED downlight fixture from the packaging
2. Make sure the power is turned OFF at the source of the recessed housing(s) that you are installing the fixture in.  
Once the power has been turned off, remove existing trim and lamp holder, revealing the existing socket and split up the terminals
3. Put the lamp holder into the socket and twist socket clockwise until locked
4. Pull LED downlight assembly, connect the terminals between the lamp holder and the trim.  
Care should be taken not to damage wires during this process
5. Slide LED downlight with torsion spring in fully-deployed position
6. Push up into the recessed housing until trim ring is flush with ceiling

### MODEL OLT2-412-WH

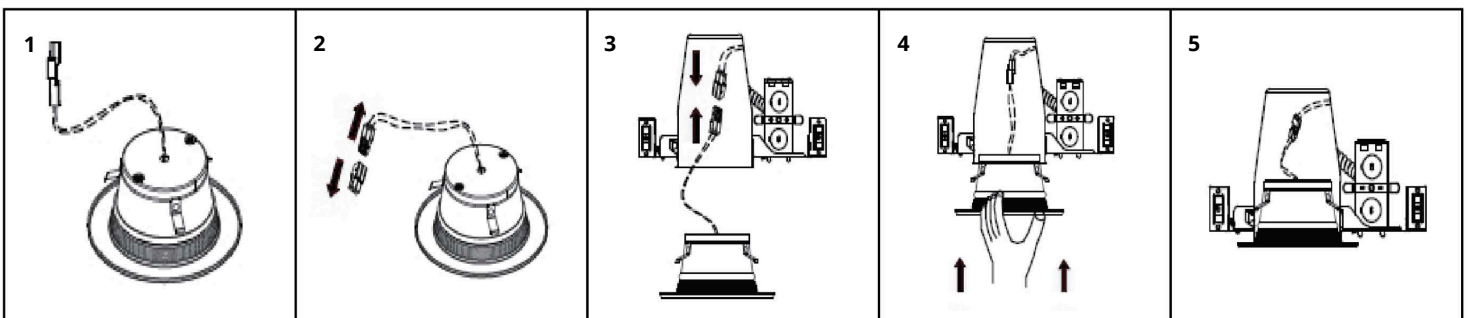
#### INSTALLATION GUIDE

##### GU24 Installation

If the existing socket is a GU24-type socket, please follow the instruction below:



1. Remove LED downlight fixture from the packaging
2. Make sure the power is turned OFF at the source of the recessed housing(s) that you are installing the fixture in.  
Once the power has been turned off, remove existing trim and lamp holder, revealing the existing socket and split up the terminals
3. Put the lamp holder into the socket and twist socket clockwise until locked
4. Pull LED downlight assembly, connect the terminals between the lamp holder and the trim. Care should be taken not to damage wires during this process
5. Slide LED downlight with torsion spring in fully-deployed position
6. Push up into the recessed housing until trim ring is flush with ceiling



1. Remove LED downlight fixture from the packaging
2. Make sure the power is turned OFF at the source of the recessed housing(s) that you are installing the fixture in.  
Once the power has been turned off, remove existing trim and lamp holder, revealing the existing socket and split up the terminals
3. Pull LED downlight assembly, connect the terminals between the lamp holder and the trim.  
Care should be taken not to damage wires during this process
4. Slide LED downlight with torsion spring in fully-deployed position
5. Push up into the recessed housing until trim ring is flush with ceiling

ORTECH reserves the right to modify at any time, without notice, any or all of our product's features, designs, components and specifications to meet market changes.