

# LED Slim Lights

## MODEL OLT2-412-WH



### HIGHLIGHTS

- 4" LED economical retrofit slim recessed light with durable aluminum body compatible with industry standard TRIAC / ELV dimmers
- Designed and engineered for residential and commercial application, retrofitting existing recessed can light housing as well as new construction
- Made of high quality aluminum and contains frosted PC diffuser, stainless steel flexible spring, quick connector and E26 base adapter
- Baffle trim design — baffled ridges trap & shape the light downward creating a glare-free & uniform lighting effect
- Depth is 2-1/8", and for the best possible layout depth flexibility, it should be installed right under joists
- Easy installation — ready to fit recessed housing cans directly, no additional accessories are required
- Stainless steel torsion spring included and capable of instant start, no flickering, no humming

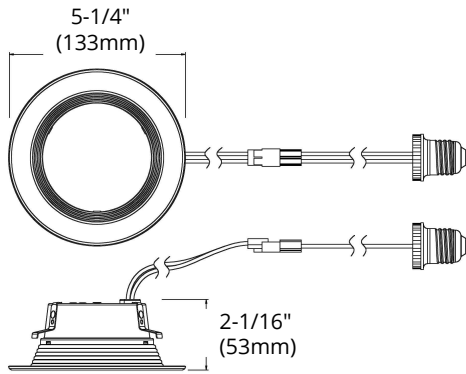
### MOUNTING

- Housing is required and neither cut hole in ceiling nor snap fixture in opening with attached spring clips
- Ceiling clearance required: 2-5/8"

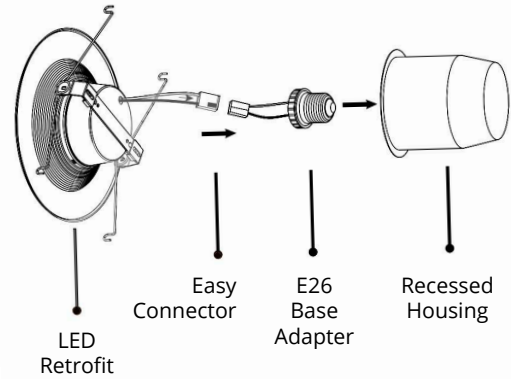
### SPECIFICATIONS

Model	OLT2-412-WH
Wattage	12W
Voltage	120V AC
Lumens	700 lmn
Beam Angle	120°
Lifetime	50000 hours
Cutout	No need to open hole in the ceiling; Item mounted into 4" IC housing directly
CRI	80
Dimmable	Yes
Rating	Non-IC Rated / Indoor use / for Damp location
Grade of Protection	IP 44
Air Tight	Yes
Applications	Hotels / Cans bathroom / Kitchen / Office / Workplace / Cafe
Colour Temp.	3000K (Warm White) / 5000K (Cool White)
Operating Temp.	-20°C ~ +40°C
Warranty	5 years

### DIMENSIONS



### Installation



### EXPANSION FUNCTION



#### Baffle Trim

Baffled ridges trap & shape the light downward creating a glare-free & uniform lighting effect

### Trims & Accessories (sold separately)



#### DMD-ELV

Single pole 3-way dimmers

ORTECH reserves the right to modify at any time, without notice, any or all of our product's features, designs, components and specifications to meet market changes.

Reference	QTY.	Remarks	Project:
			Location:
			Architect:
			Engineer:
			Contractor:
			Submitted by:
			Date: