

## MODEL OT-SLIM2/3



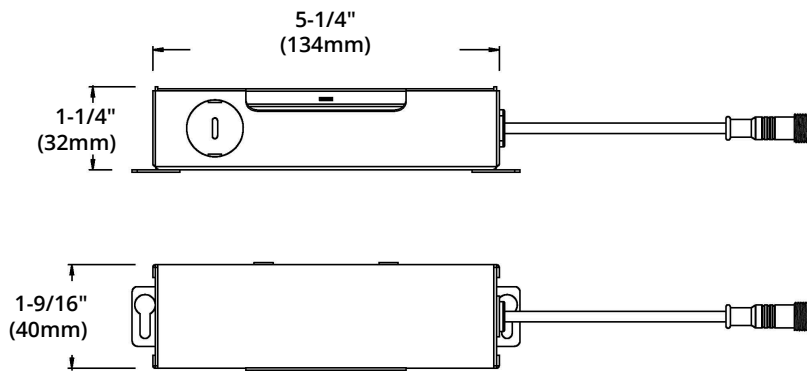
### HIGHLIGHTS

- 120V AC input voltage maximum 8W class 2 LED Driver
- Compatible with 2" and 3" ORTECH Slim Lights
- Compatible with TRIAC dimmers
- Inherently protected

### SPECIFICATIONS

Model	<b>OT-SLIM2/3</b>
Input Voltage	120V AC
Output Voltage	15-24V DC
Maximum Wattage	8W
Amps	270mA
Dimmable	Yes
Frequency Range	60Hz
Power Factor	> 0.9
Grade of Protection	IP 44
AC Current (Max.)	80mA
Short Circuit	Hiccup mode, recover automatically after fault condition is removed
Over Loading	≤ 120%
Operating Temperature	-20°C ~ +40°C
Warranty	5 years

### DIMENSIONS



ORTECH reserves the right to modify at any time, without notice, any or all of our product's features, designs, components and specifications to meet market changes.

Reference	QTY.	Remarks	Project:
			Location:
			Architect:
			Engineer:
			Contractor:
			Submitted by:
			Date: