

MODEL OL-HB5-225W



WARNING

WARNING — THE INSTALLATION MUST BE CARRIED OUT BY A QUALIFIED ELECTRICIAN.

1. LED Linear High Bays are not suitable for using in wet locations
2. Please keep the LED Linear High Bays away from any corrosive substance, and please use dry cloth when you clean it
3. LED Linear High Bays can only be installed by a qualified electrician
4. Before installation or maintenance, please disconnect the power to prevent electric shock

CAUTION

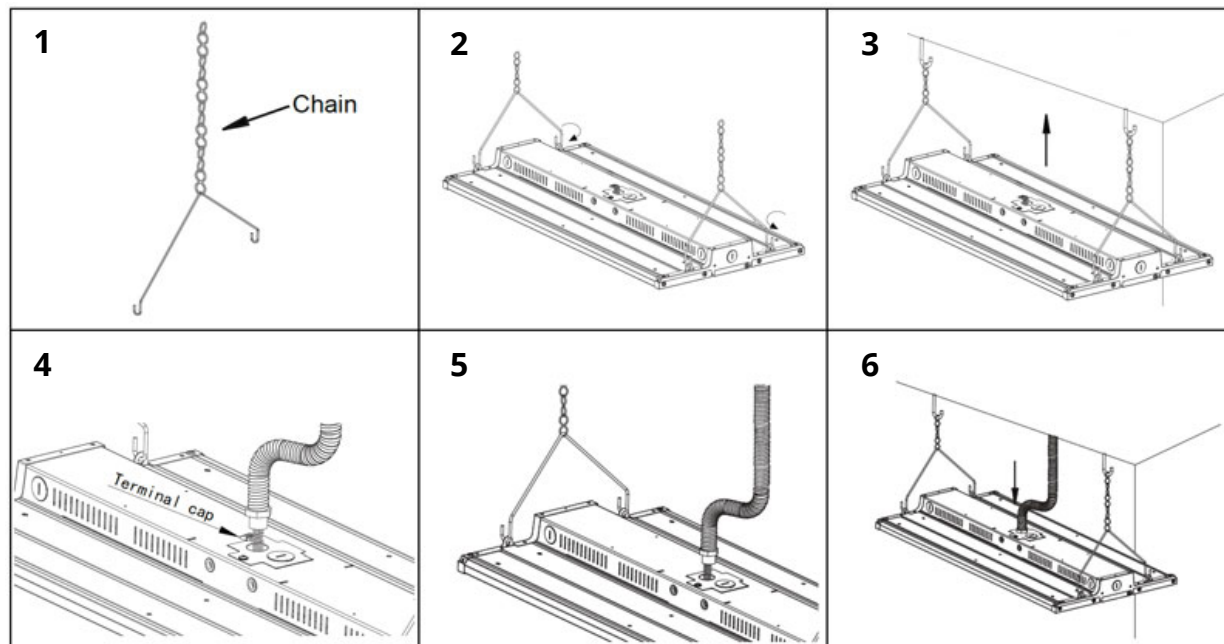
PLEASE READ INSTRUCTION BEFORE COMMENCING INSTALLATION AND RETAIN FOR FUTURE REFERENCES.

Electrical products can cause death or injury, or damage to property.

If in any doubt about the installation or use of this product, consult a competent electrician.

INSTALLATION GUIDE

Chain Installation



1. Hook the chain
2. Insert the hook into the slotted holes
3. Hook up the chain on the ceiling anchor
4. Turn off power, and make wiring connections with terminal cap (See Fig.1)
5. Insert the terminal cap and wires into the driver box
6. Insert the wire terminal joint to the wire entry. Installation completed.



Fig.1