

MODEL WP-PC 38W



WARNING

WARNING — THE INSTALLATION MUST BE CARRIED OUT BY A QUALIFIED ELECTRICIAN.

1. LED Wall Packs are suitable for using in wet locations
2. Please keep the LED Wall Packs away from any corrosive substance, and please use dry cloth when you clean it
3. LED Wall Packs can only be installed by a qualified electrician
4. Before installation or maintenance, please disconnect the power to prevent electric shock

Application Notice

1. This fixture **MUST** be wired in accordance with the National Electrical Code and applicable local codes and ordinances. Proper grounding is required to insure personal safety. Carefully observe grounding procedure under installation section
2. Make certain power is OFF before starting installation or attempting any maintenance. Risk of fire / electric shock. If not qualified, consult an electrician
3. For proper weatherproof function, all gaskets **MUST** be seated properly and all screws inserted and tightened firmly. Apply weatherproof silicone sealant around the edge of the Back Box and/or Junction Box. This is especially important with an uneven wall surface. Silicone all plugs and unused conduit entries

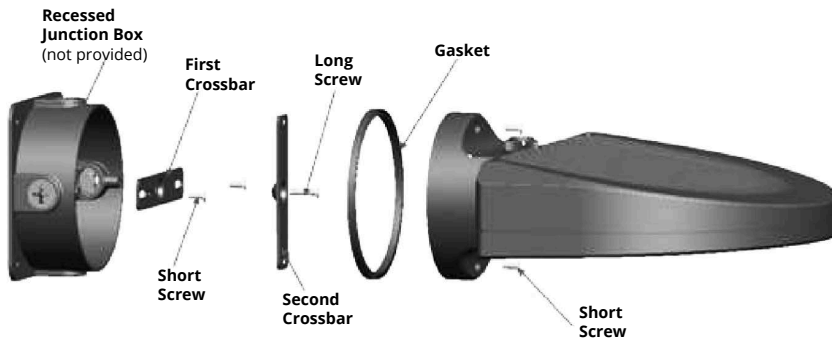
CAUTION

PLEASE READ INSTRUCTION BEFORE COMMENCING INSTALLATION AND RETAIN FOR FUTURE REFERENCES.

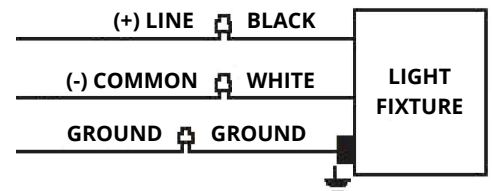
Electrical products can cause death or injury, or damage to property.

If in any doubt about the installation or use of this product, consult a competent electrician.

INSTALLATION GUIDE



Wiring Diagram



All units may operate at 120V to 277V, 50 or 60Hz

1. Connect the black fixture lead to the (+) LINE supply lead
2. Connect the white fixture lead to the (-) COMMON supply lead
3. Connect the bare copper Ground wire from fixture to supply ground

Surface Mount for Recessed Box

(for use with recessed junction box and wiring)

1. Use supplied first crossbar. Mount the First Crossbar to recessed junction box with (2) screws
2. Use supplied second crossbar. Mount the Second Crossbar to the First Crossbar with (1) long screws
3. Place Gasket on back of the fixture. Gasket should create seal against mounting surface
4. Wire fixture to supply wires in recessed box according to the wiring diagram on the right side
5. Use (2) short Mounting Screw to attach fixture to Crossbar. Tighten Mounting Screw
6. Fixture can be mounted as an uplight in dry and damp locations only

Cleaning & Maintenance

CAUTION — Be sure fixture temperature is cool enough to touch. DO NOT clean or maintain while fixture is energized

1. Clean glass lens with non-abrasive glass cleaning solution
2. DO NOT open fixture to clean the LED. DO NOT touch the LED

Troubleshooting

1. Check that the line voltage at fixture is correct. Refer to the wiring diagram above
2. Is the fixture grounded properly? Ask the question yourself
3. Is the photocell functioning properly (if used)? Check it

ORTECH reserves the right to modify at any time, without notice, any or all of our product's features, designs, components and specifications to meet market changes.