

## MODEL VB-6-S



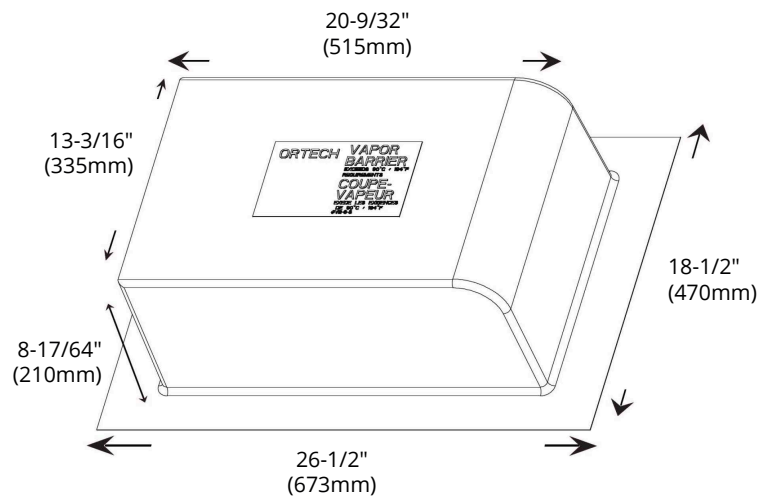
### HIGHLIGHTS

- Commercial or Residential grade Vapour Barriers that prevent airflow between living spaces and unconditioned areas reducing energy losses
- Allows continuous air tight vapour protection for new construction insulated ceiling rated recessed lighting housings and ventilation fans in
- Helps control moisture in areas such as basements, ceilings, crawl spaces, floors and walls

### SPECIFICATIONS

Model	<b>VB-6-S</b>
Application	Most building codes
Material	Heavy duty Polyethylene
Temperature Rating	+90°C
Target	Installations with 16" or 14" beam centres
Amount	50 per case standard packing

### DIMENSIONS



Reference	QTY.	Remarks	Project:
			Location:
			Architect:
			Engineer:
			Contractor:
			Submitted by:
			Date: