

LED Vapour Tights

MODEL VT-40W-3CCT+W | VT-40WMS-3CCT+W



WARNING

WARNING — THE INSTALLATION MUST BE CARRIED OUT BY A QUALIFIED ELECTRICIAN.

1. LED Vapour Tight can only be installed by a qualified electrician
2. Before installation or maintenance, please disconnect the power to prevent electric shock
3. Any non-professionals are not allowed to disassemble the lamp

APPLICATION NOTICE

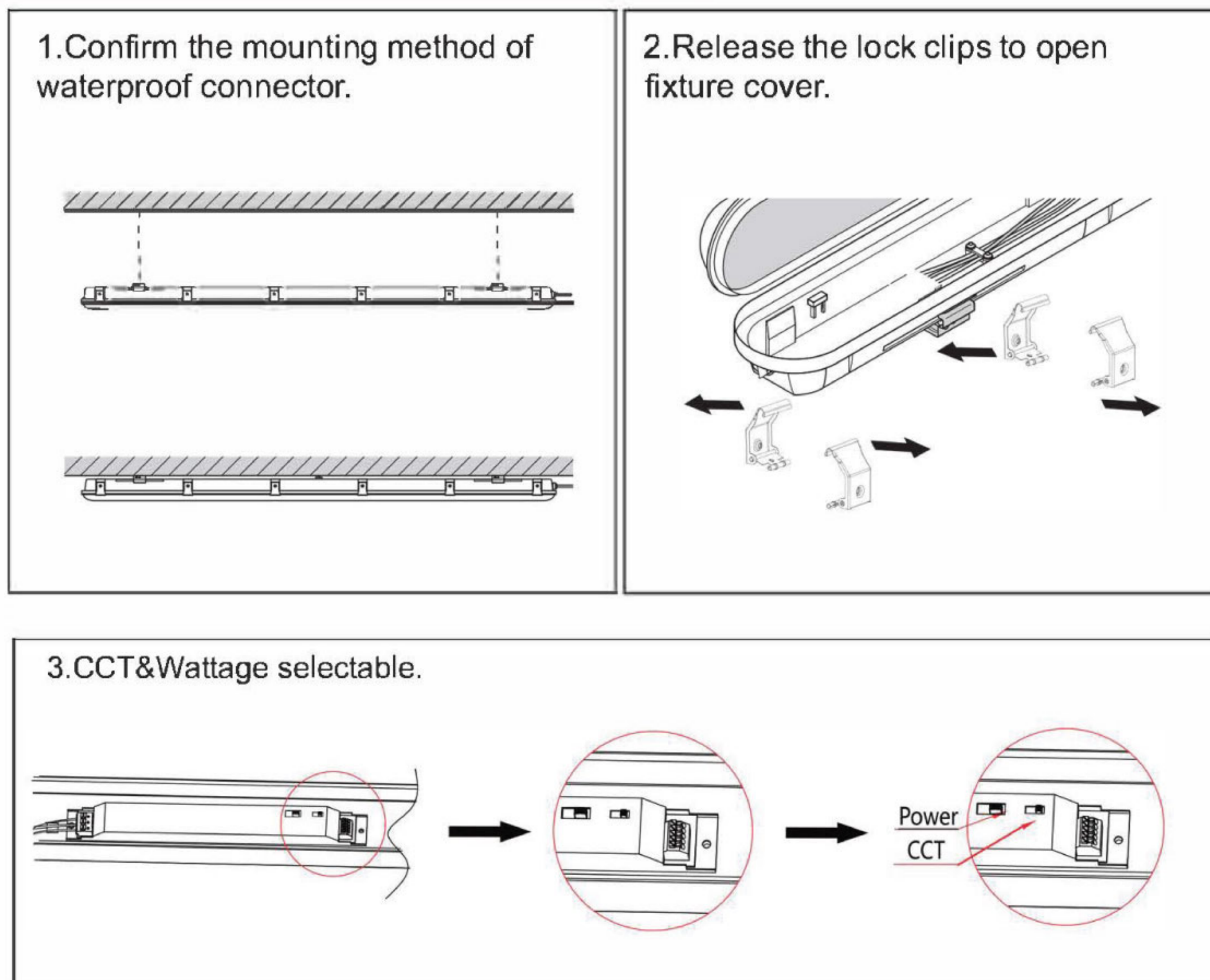
- DO NOT cover the fixtures with flammable materials
- Lamps should always be installed or replaced with care
- Misuse of, or changes to the fixture shall nullify the guarantee
- Before installing the lighting fixtures, please read this instruction manual carefully
- When a lamp is to be cleaned, make the power off and let it cool down completely. Clean the fixture with a soft cloth and a standard PH neutral detergent

- Check the local voltage in accordance with the product requirements before using the product. Exclusively replaced by the manufacturer or his service agent or the similar qualified person in order to avoid a hazard
- The lighting fixtures should be installed, connected and tested by a certified installer based on the local regulations
- Re-lamping only can be done when the power is off and the lamp is completely cooled down

CAUTION

PLEASE READ INSTRUCTION BEFORE COMMENCING INSTALLATION AND RETAIN FOR FUTURE REFERENCES. Electrical products can cause death or injury, or damage to property. If in any doubt about the installation or use of this product, consult a competent electrician. Turn off the main power at the circuit breaker before installing the fixture, in order to prevent possible shock.

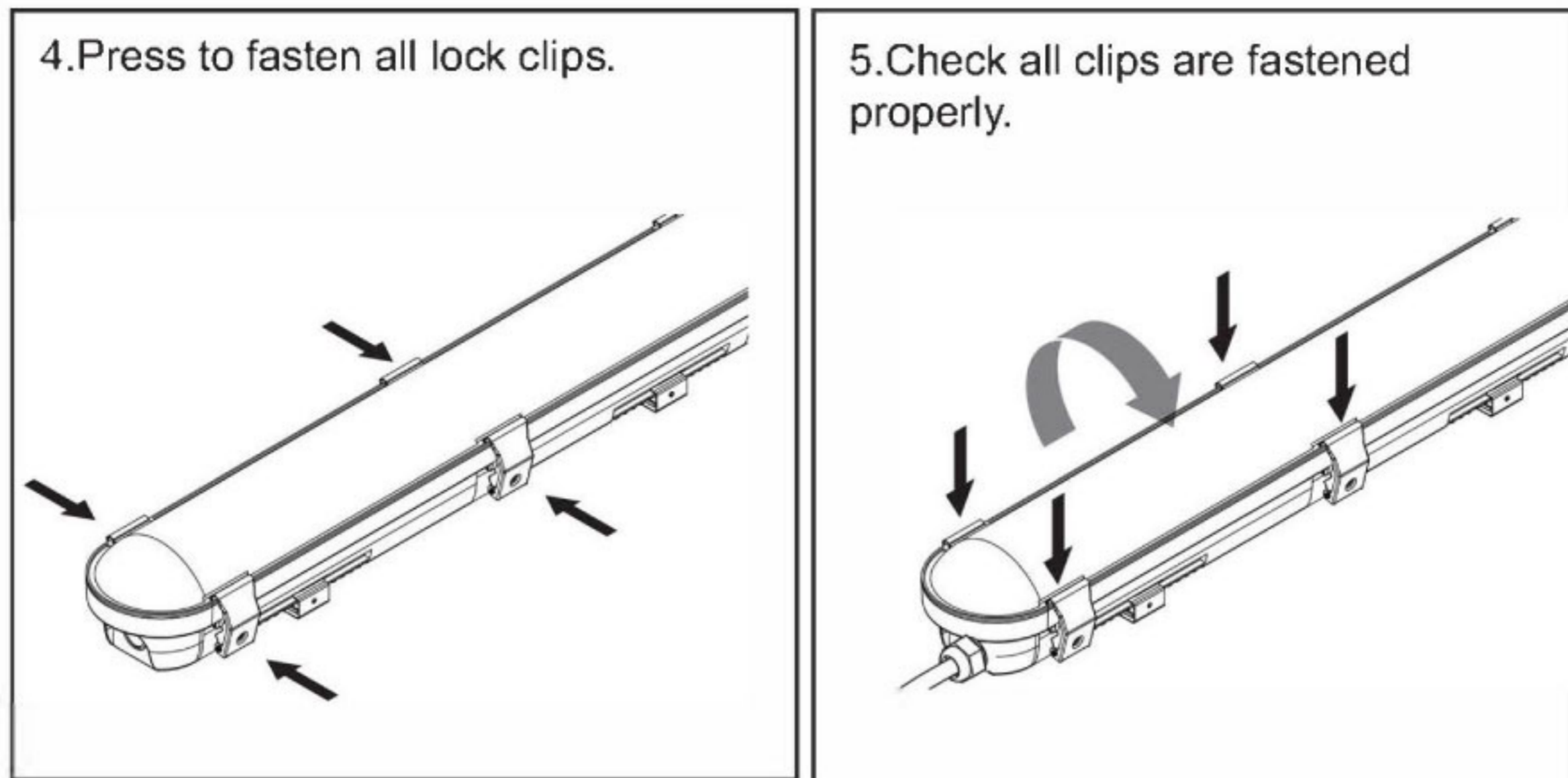
INSTALLATION GUIDE



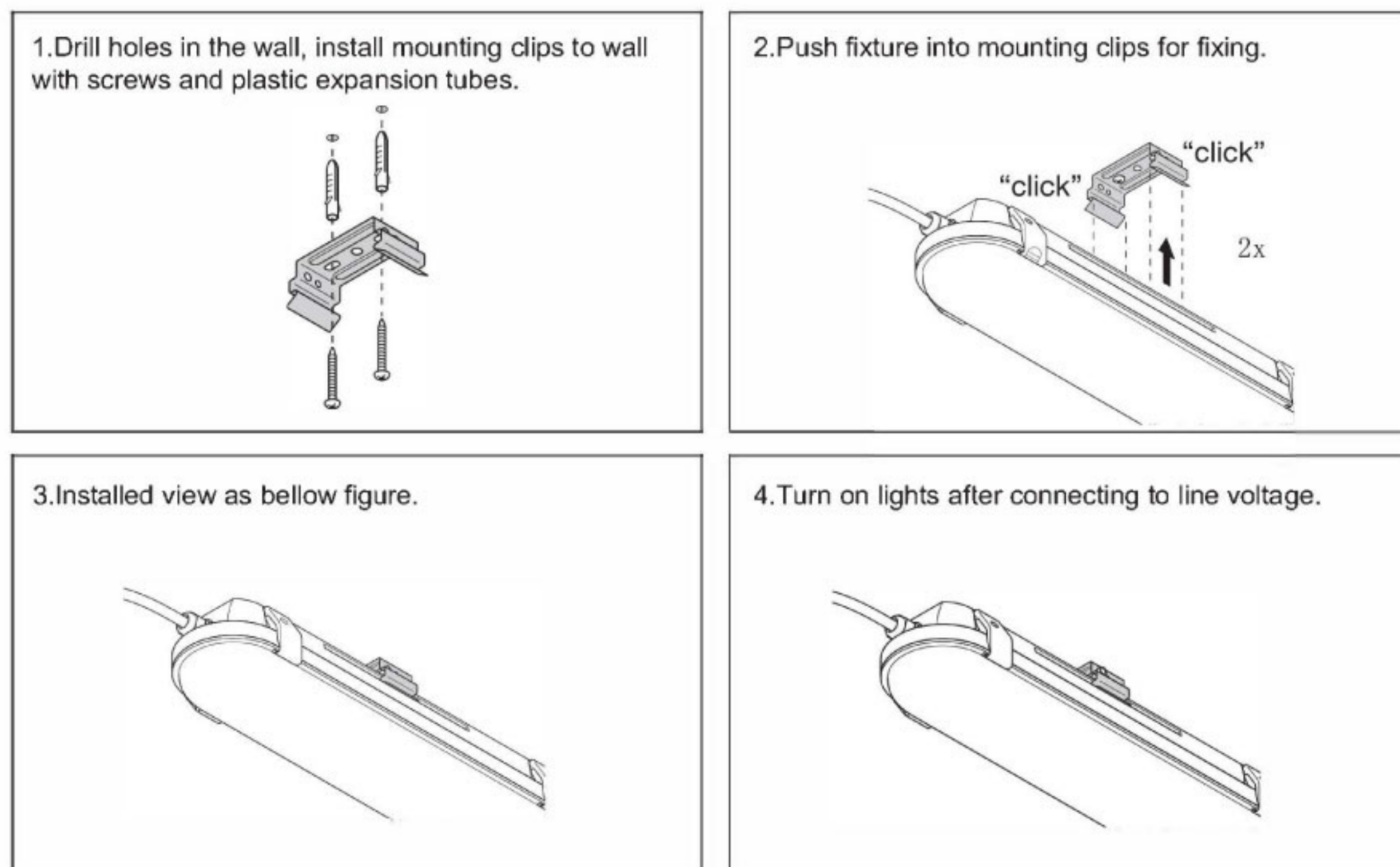
LED Vapour Tights

MODEL VT-40W-3CCT+W | VT-40WMS-3CCT+W

INSTALLATION GUIDE



SURFACE MOUNTED



SUSPENDED INSTALLATION

