

# LED Landscape Lighting — Deck Lights

## MODEL OD-A2012W



### HIGHLIGHTS

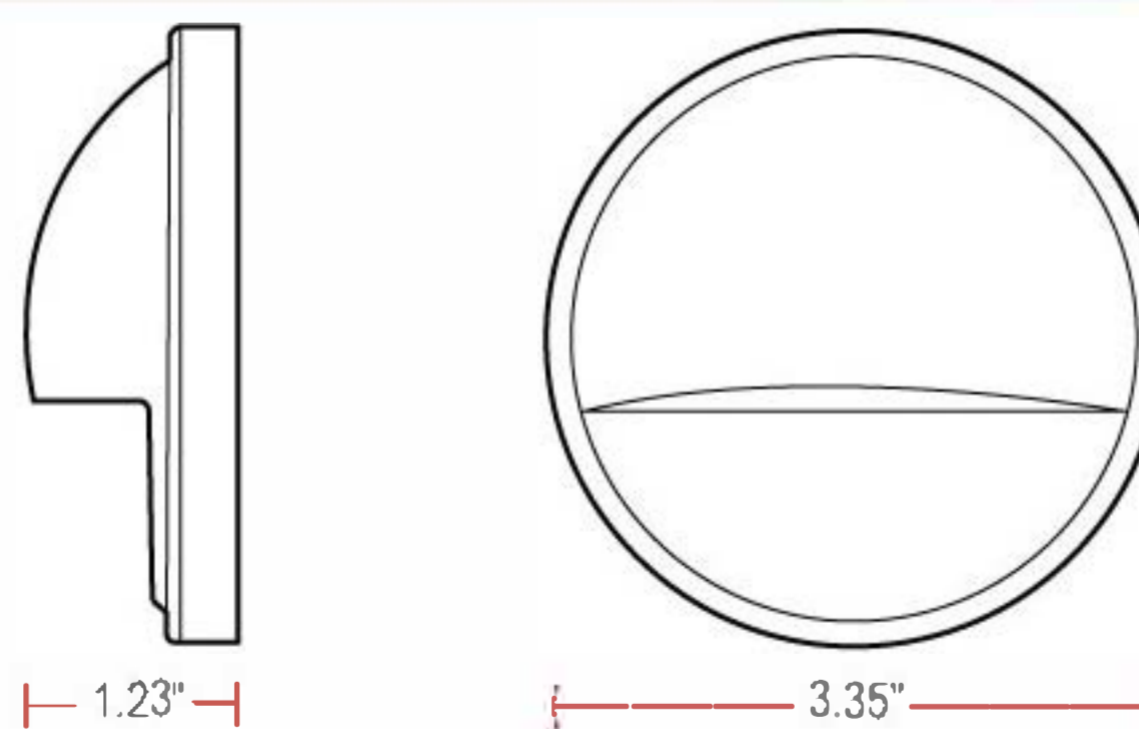
This deck light is commonly used in landscape projects. It provides a generous light output from the energy efficient 2watt LED chips. Available in black color finish, this deck is ideal to match surroundings beautifully. Twist-lock way requires less tool to install.

- 2W LED integrated design with 9-15V AC/DC input voltage
- Die-cast aluminum construction
- No visible screws in on the surface, easy for installation
- Casts a comfortable, soft warm glow without glare
- Textured matte black finish
- Suitable for wet locations

### SPECIFICATIONS

Model	<b>OD-A2012W</b>
Material	Aluminum
Input Voltage	9-15V AC
Wattage	2W
Light Source	Integrated LED Chips
Color Temperature	2700k
Lumen	30lm
CRI	80
Wiring	3'SPT-1W
Lens	Frosted Lens
Operating Temp.	-40°C~70°C

### DIMENSIONS



Reference	QTY.	Remarks	Project:
			Location:
			Architect:
			Engineer:
			Contractor:
			Submitted by:
			Date:

ORTECH reserves the right to modify at any time, without notice, any or all of our product's features, designs, components and specifications to meet market changes.