

## LED SLIM LIGHTS

CP-4

### WARNING

**WARNING — THE INSTALLATION MUST BE CARRIED OUT BY A QUALIFIED ELECTRICIAN.**

- LED Slim Lights are suitable for indoor use only. **DO NOT** use outdoors
- Please keep the LED Slim Lights away from any corrosive substance, and please use dry cloth when you clean them
- LED Slim Lights can only be installed by a qualified electrician
- Before installation or maintenance, please disconnect the power to prevent electric shock

### APPLICATION NOTICE

- For your safety, this fixture **MUST be** wired in accordance to electrical codes and ordinances
- **DO NOT** open the light fixture and the side plates of driver — no serviceable part inside
- **DO NOT** use any other driver except the ones advised by the supplier
- **DO NOT** connect multiple fixtures to one driver

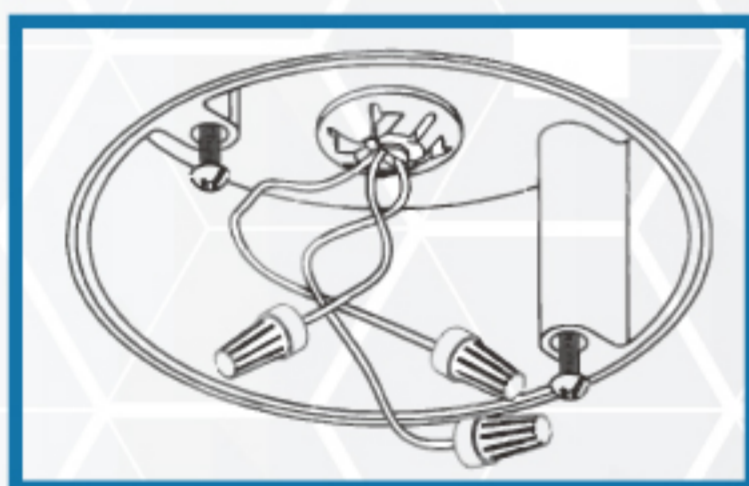
### CAUTION

**PLEASE READ INSTRUCTION BEFORE COMMENCING INSTALLATION AND RETAIN FOR FUTURE REFERENCES.**

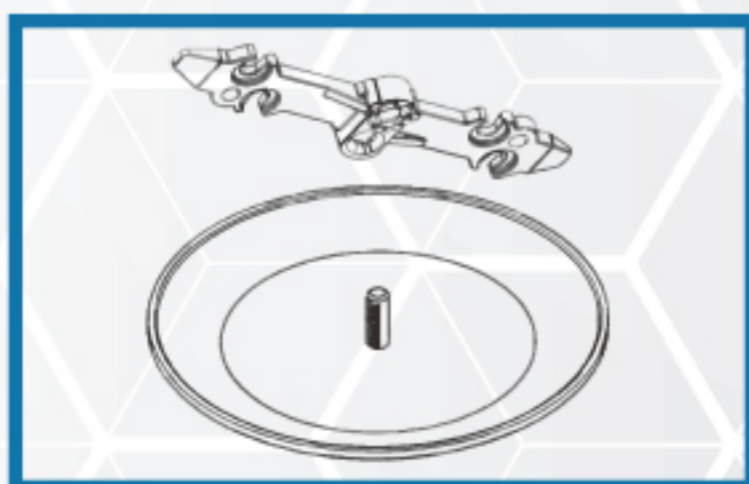
Electrical products can cause death or injury, or damage to property. If in any doubt about the installation or use of this product, consult a competent electrician.

### INSTALLATION GUIDE

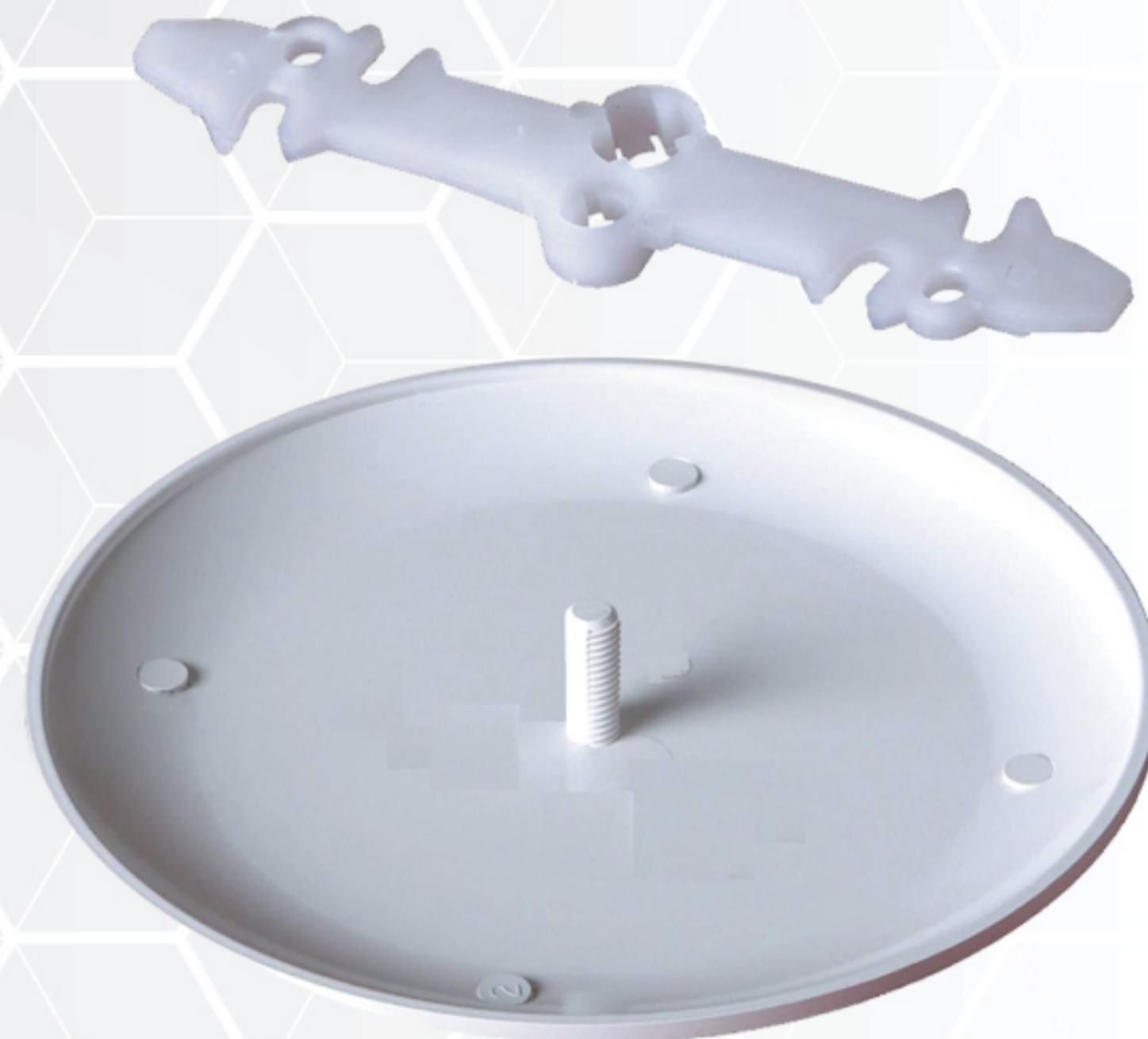
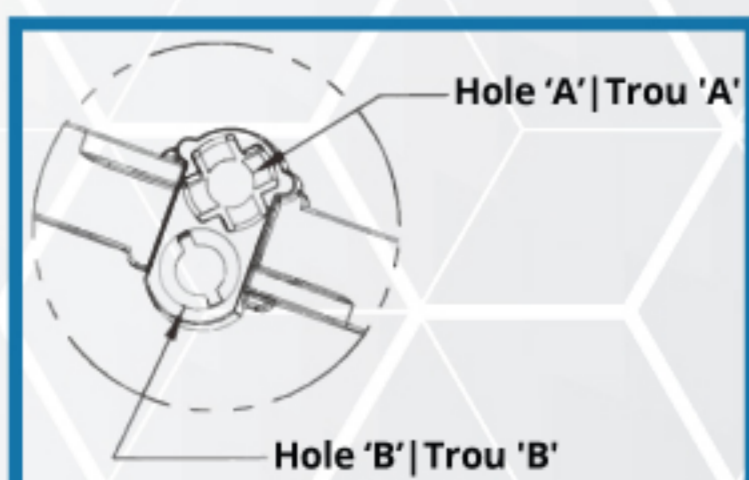
1.



2.



3.



**STEP 1:** Attach the mounting bracket to a 3½" or 4" round or octagonal box with the screws provided. The "A" side of the bar is for a flat ceiling and the "B" side is for an uneven or textured ceiling.

**STEP 2:** On a flat ceiling, push the screw on the cover into the opening of the bracket to the cover. On a textured ceiling, screw on the cover into the opening until it is tight against the ceiling.

**STEP 3:** The cover can be removed by either pulling down on the cover or by unscrewing it on an uneven or textured ceiling.