

## LINT TRAP (DUAL SIZE)

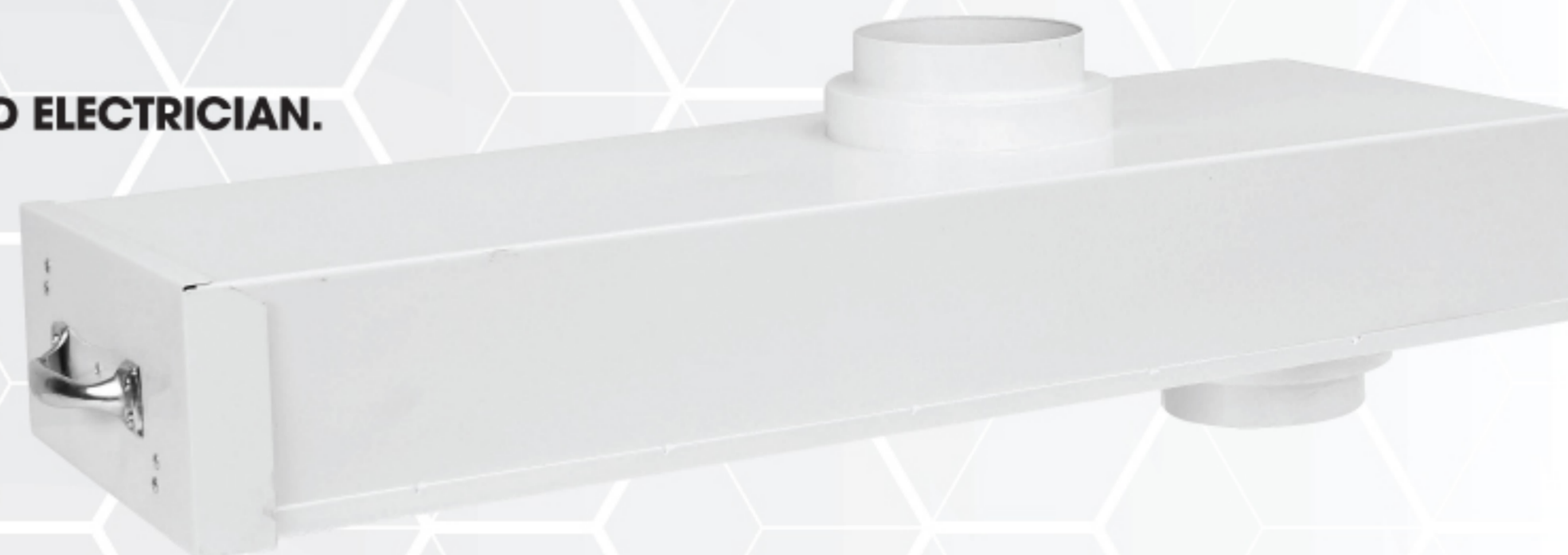
### LINT TRAP-DS-SL

#### WARNING

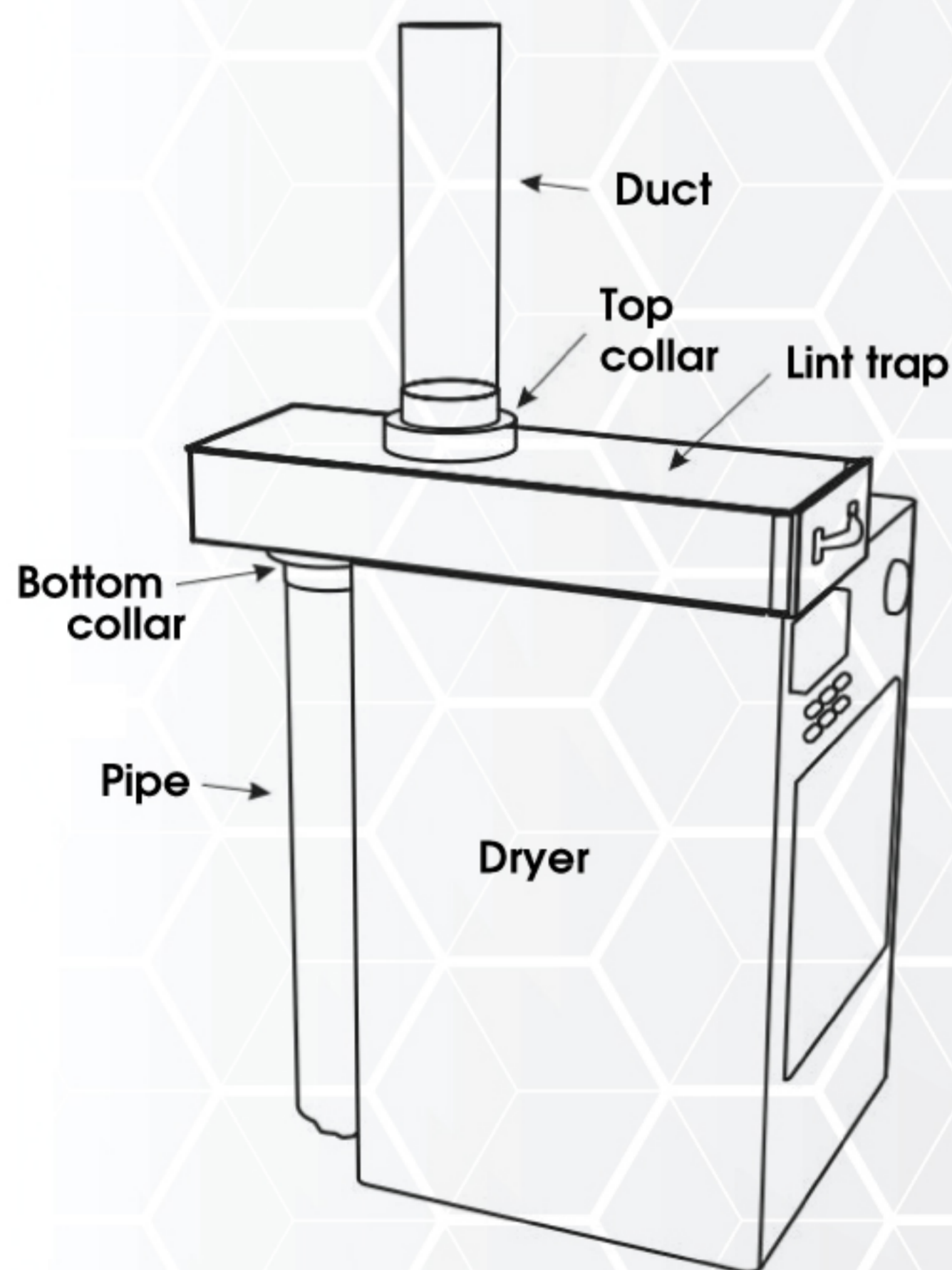
**WARNING — THE INSTALLATION MUST BE CARRIED OUT BY A QUALIFIED ELECTRICIAN.**

#### CAUTION

**PLEASE READ INSTRUCTION BEFORE COMMENCING INSTALLATION AND RETAIN FOR FUTURE REFERENCES.**  
HVAC products can cause death or injury, or damage to property. If in any doubt about the installation or use of this product, consult a competent electrician.



#### INSTALLATION GUIDE

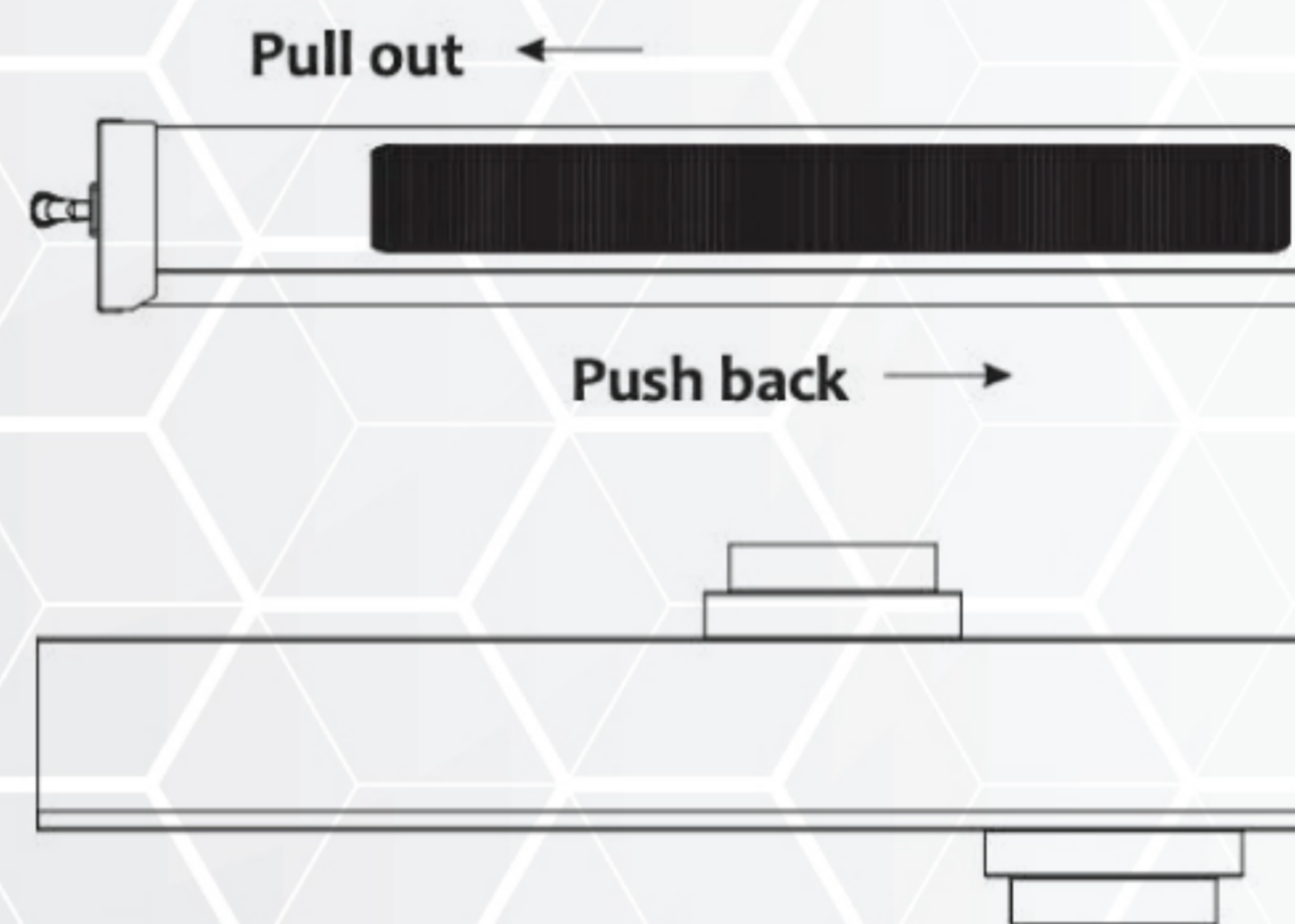


**STEP 1:** Clean the dryer top surface properly before installation.

**STEP 2:** Mark lint trap position on the dryer.

**STEP 3:** Fix double sided foam tape on the bottom surface of the lint trap to help the lint trap stick on the top of dryer.

**STEP 4:** Connect the pipes to the collars.



#### CLEAR THE LINT TRAP

Pull out the screen, Clear the lint on the mesh, and then push the screen back to the housing.