

LINT TRAP (DUAL SIZE)

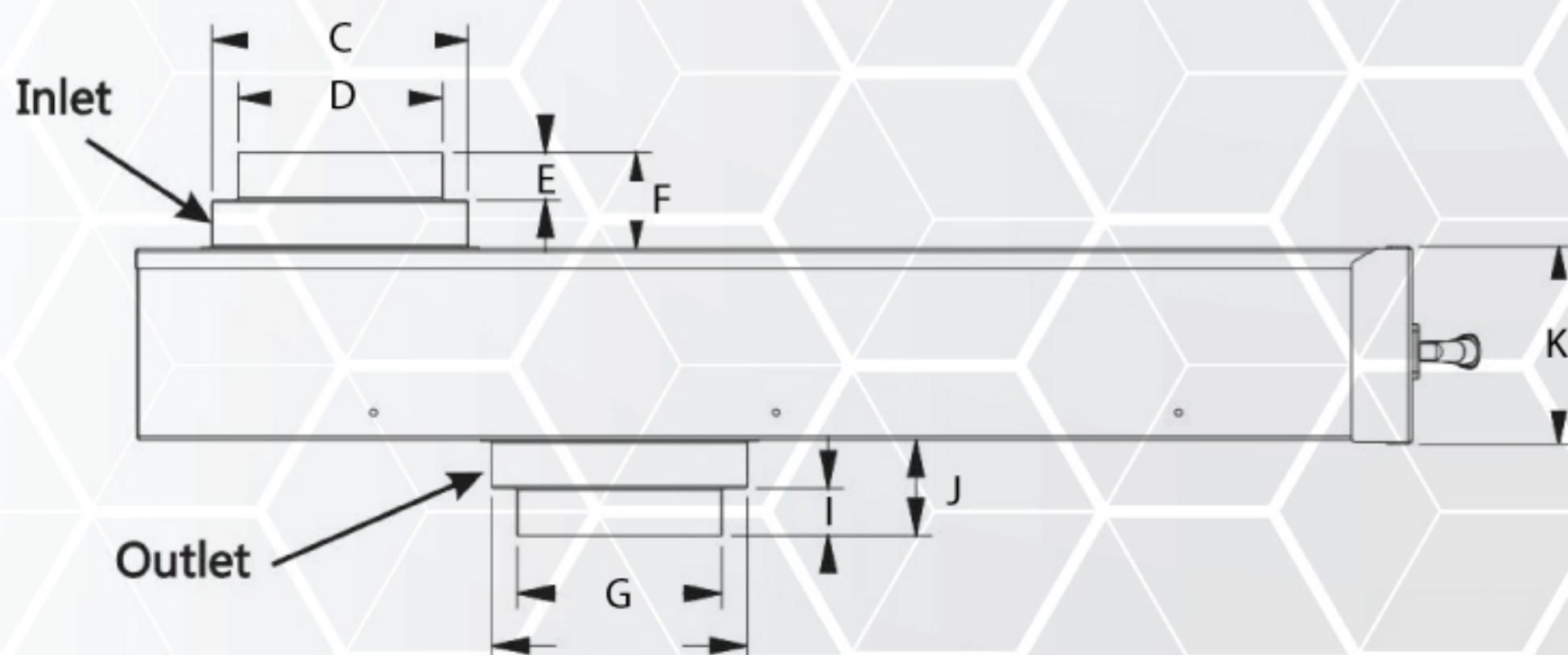
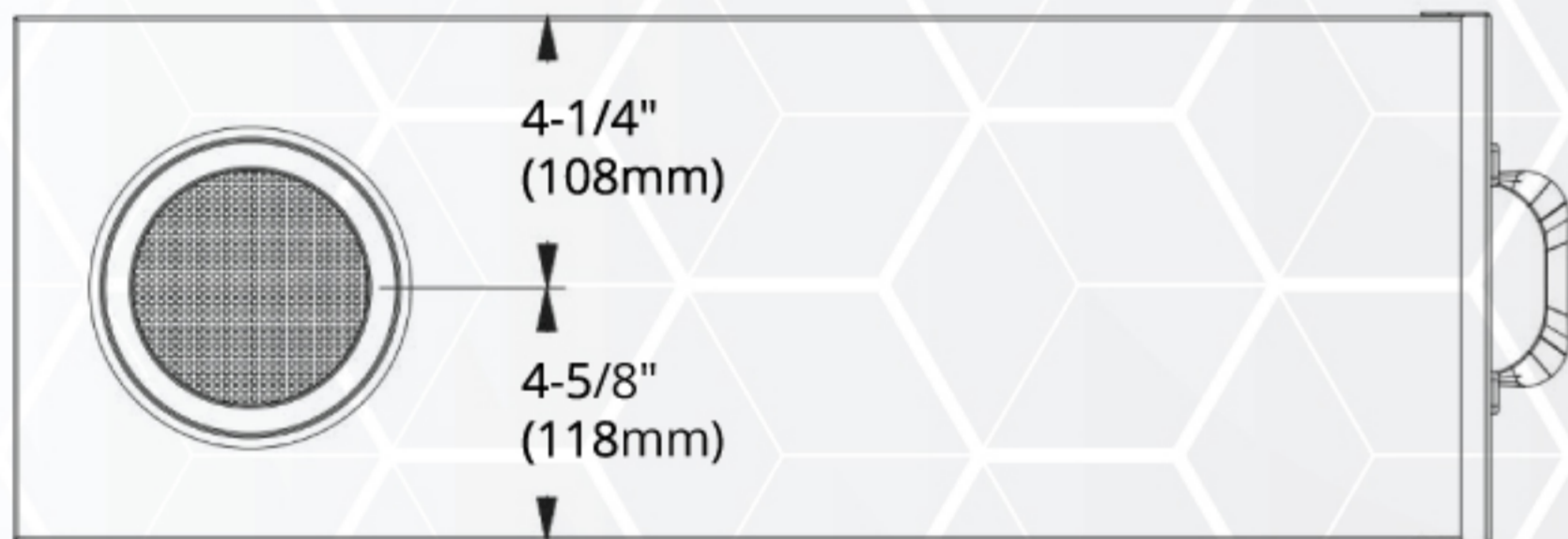
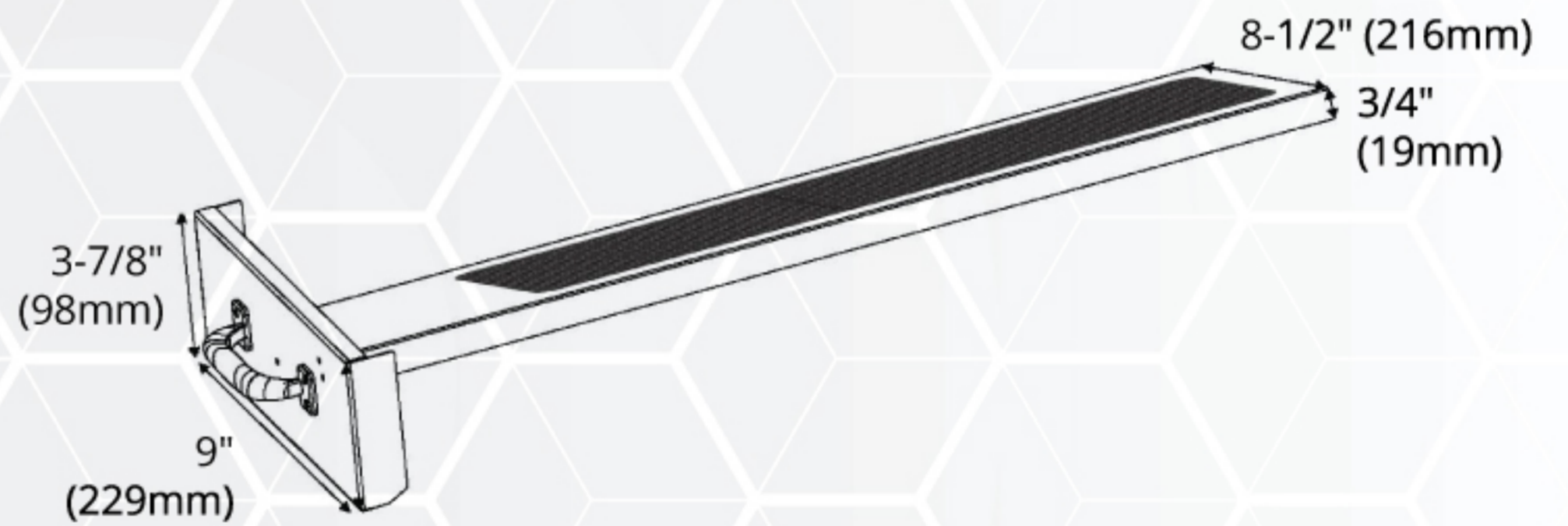
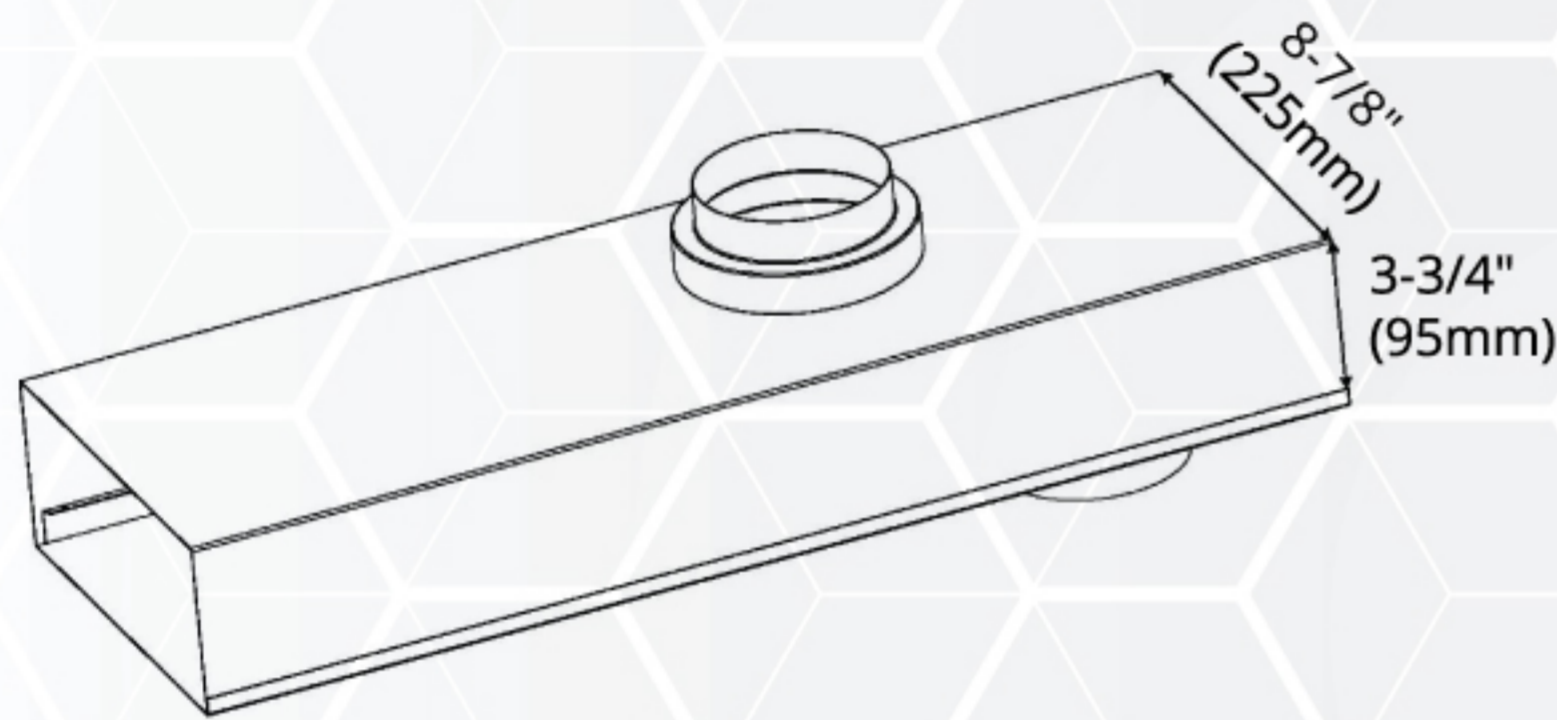
LINT TRAP-DS-SL

HIGHLIGHTS

Dual size lint trap suitable for 4" and 5" diameter duct

- Easy to clean
- Stainless steel mesh filter screen for long life
- Powder coated finish for increased durability
- 115.63 sq. inch filtering area, increasing dryer efficiency
- Length of the lint trap is 63.5cm (635mm)

DIMENSIONS



A	3-3/4" (95mm)
B	7-1/2" (191mm)
C	5" (127mm)
D	4" (102mm)
E	15/16" (24mm)
F	1-7/8" (48mm)
G	4" (102mm)
H	5" (127mm)
I	15/16" (24mm)
J	1-7/8" (48mm)
K	3-3/4" (95mm)

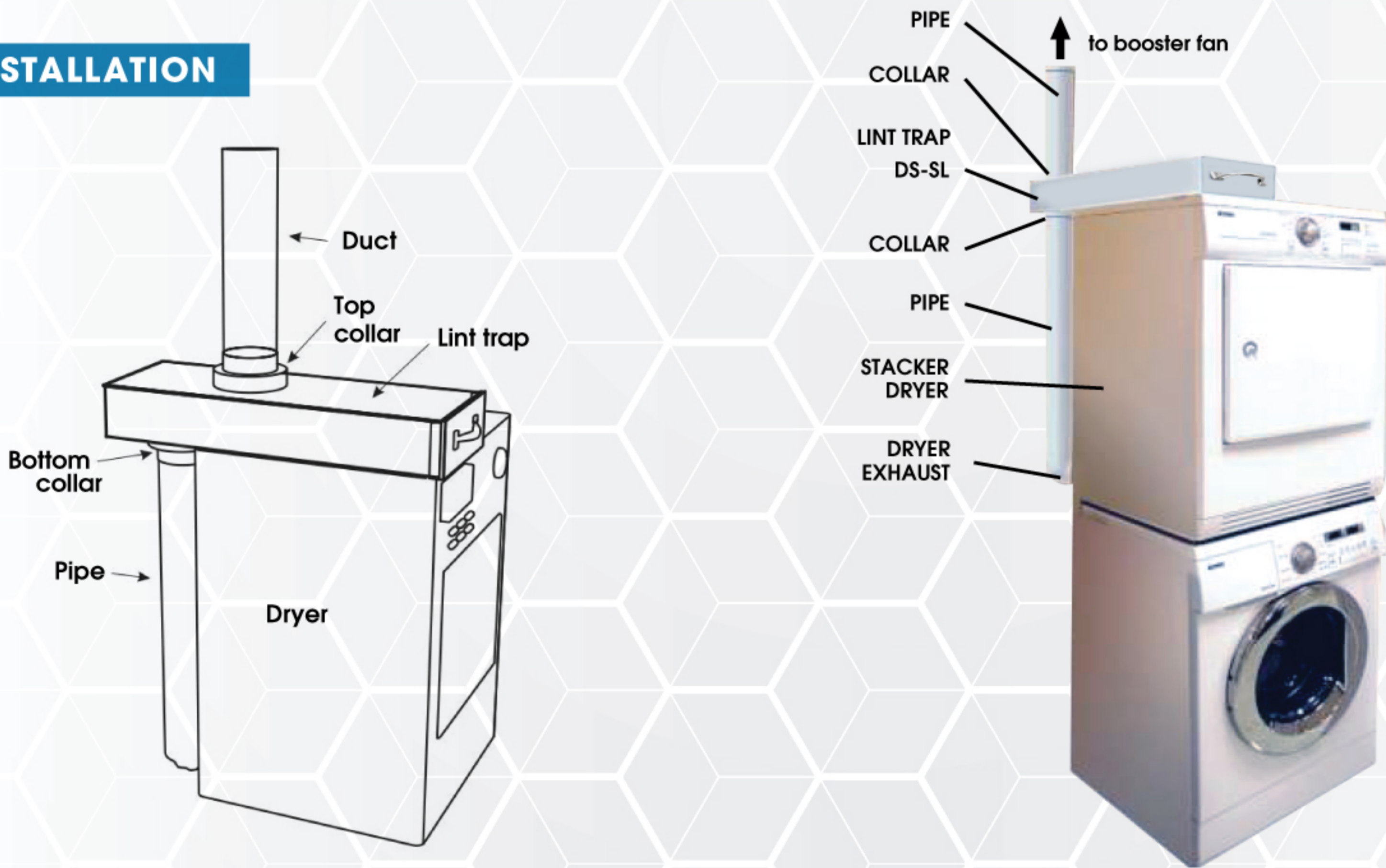
LINT TRAP (DUAL SIZE)

LINT TRAP-DS-SL

DIFFERENT ANGLE VIEWPOINT DISPLAY



INSTALLATION



Reference	QTY.	Remarks	Project:
			Location:
			Architect:
			Engineer:
			Contractor:
			Submitted by:
			Date:

ORTECH reserves the right to modify at any time, without notice, any or all of our product's features, designs, components and specifications to meet market changes.