

ODDMF Silencers

MODEL ODDMF-12-1750-Q



HIGHLIGHTS

- Stable and free from vibrations
- Offers lower noise level than mixed flow inline fans
- Built with cold-rolled steel housing and aluminum flange
- Silenced version of ODDMF inline fans, constructed with a 12" inline fan

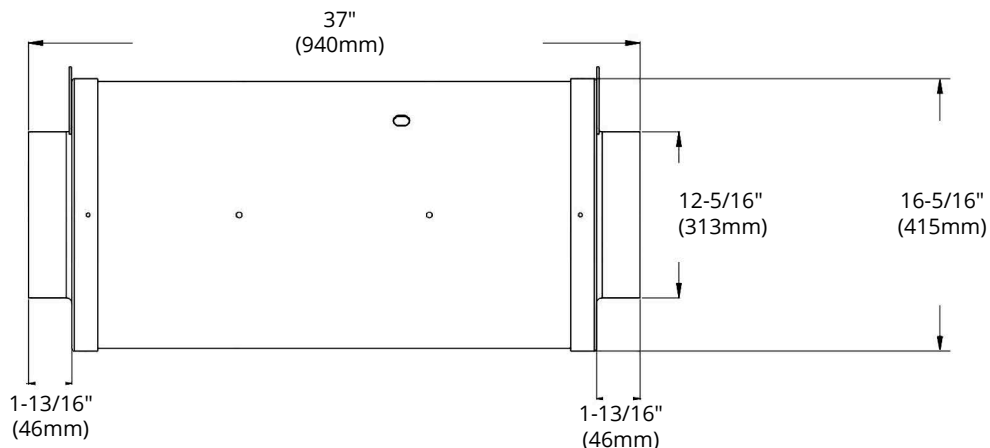
FEATURES

- ❖ ECO fireproof acoustic cotton
- ❖ Double heavy duty NMB ball bearing
- ❖ 6-poles brushless motor with sine wave
- ❖ Customized feature: PWM/Control by 0-10V/ Voltage output/Tacho output
- ❖ Locked motor protection (auto-restart); soft-start motor; Over-voltage lockout protection

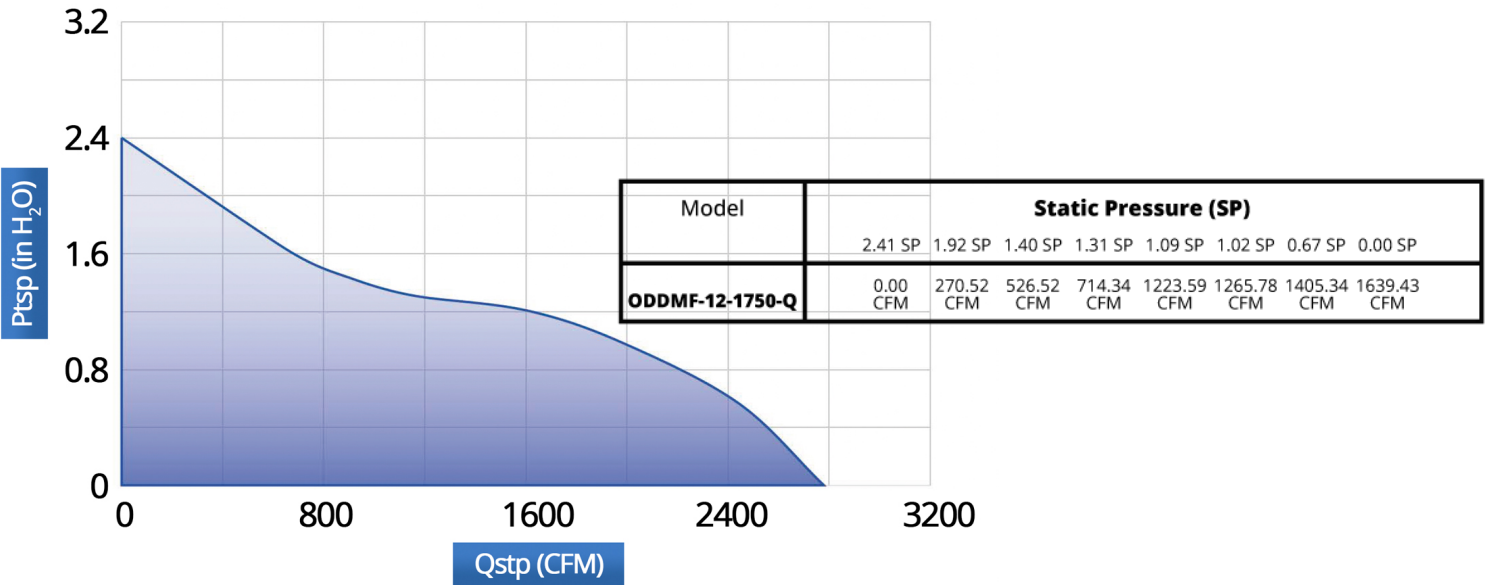
SPECIFICATIONS

| | |
|-----------------|---|
| Model | ODDMF-12-1750-Q |
| Fan Size | 12" (315 mm) |
| Voltage | 120V |
| Max. Speed | 2800 RPM |
| Max. Airflow | 1640 CFM |
| Static Pressure | 2.40 in H ₂ O / 598 Pa |
| Noise Level | 60 dBA |
| Max. Power | 260W |
| Motor Type | EC Motor |
| Impeller Design | Mixed Flow |
| IP Rating | IP 64 (IP 68 available on custom order) |
| Fan Weight | 46.3 lb |

DIMENSIONS



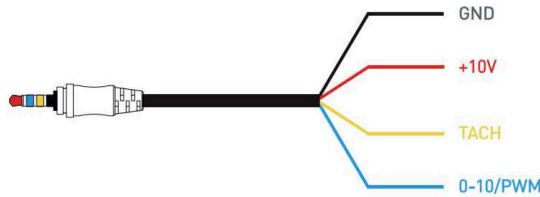
FAN CURVE



ACCESSORIES (included)



Portable Speed Controller



DIY 4-Pins Control



Full Speed Plug

ACCESSORIES (sold separately)



Wall Mounted Controller



Smart Controller with Probe



Adapter to Other 3 Pins Controller



Wireless Remote with Receiver



Adapter to Other RJ45 Controllers



3.5MM TRRS Jack Extension Control Cable

| Reference | QTY. | Remarks | Project: |
|-----------|------|---------|---------------|
| | | | Location: |
| | | | Architect: |
| | | | Engineer: |
| | | | Contractor: |
| | | | Submitted by: |
| | | | Date: |

ORTECH reserves the right to modify at any time, without notice, any or all of our product's features, designs, components and specifications to meet market changes.