

LED Slim Lights

MODEL SLIM4DGF-5CCT



HIGHLIGHTS

- 4" 5 adjustable CCT round flat durable slim gimbal light
- Class 2 transformer in junction box is included
- Tilting gimbal light source for directional lighting
- No housing required — Type IC, air tight & damp location rated
- Easy & fast installation — install directly into ceiling with clips

MOUNTING

- Ceiling clearance required: > 2-3/4"
- Cut hole in ceiling and snap fixture in Opening with attached spring clips

SPECIFICATIONS

Model	SLIM4DGF-5CCT
Wattage	12W
Voltage	120V AC
Lumens	900 lmn
Beam Angle	38°
Lifetime	50000 hours
Cutout	Ø 4-1/4" (108 mm)
CRI	80
Dimmable	Yes
Rating	IC Rated / Indoor use / for Damp location
Grade of Protection	IP 44
Air Tight	Yes
Application	Recessed ceiling / Halls / Home / Office / Store / Cafe
Colour Temp.	2700K / 3000K / 3500K / 4000K / 5000K
Operating Temp.	-20°C ~ +40°C
Warranty	5 years

COLOUR AVAILABILITY



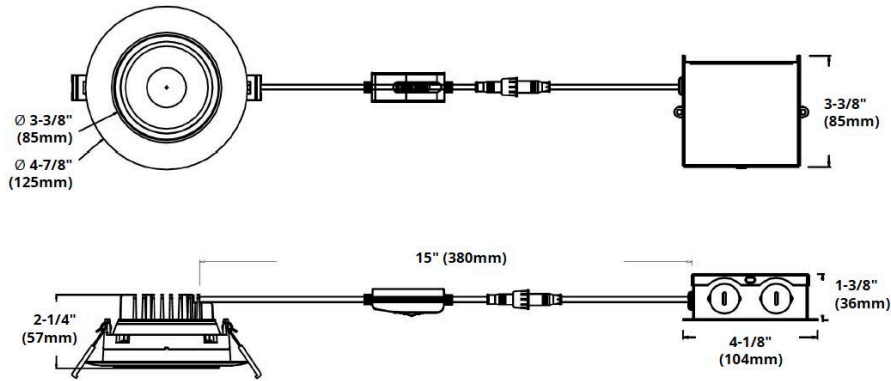
SLIM4DGF-5CCT WH
(white)



SLIM4DGF-5CCT BK
(black)

MODEL SLIM4DGF-5CCT

DIMENSIONS



ACCESSORIES (SOLD SEPARATELY)



PLATE4-HB

Mounting Plate for ORTECH 4" Slim Lights



PLATE26-4

New Construction Plate for ORTECH 4" Slim Lights



CORD-12/24/60/120/240

Flexible Connector 2FT/5FT/10FT/20FT

COMPATIBLE DIMMER LIST & PRODUCT FEATURES / BENEFITS

Brand	Series	Model	Load	Dimmability
Lutron	Ariadni	AYCL-153P	150w	10%-100%
	Diva	DV-600PR	600W	1%-100%
	Diva	DVCL-153P	150W	10%-100%
	Maestro	MACL-153MH	600W	10%-100%
	Maestro Wireless	MRF2-6CL	150W	10%-100%
	Rotary	D-600P	600W	10%-100%
	Electronic(ELV)	NTELV-300P	600W	10%-100%
	Skylark	S-600P	600W	10%-100%
	Skylark Contour	CT-600P	600W	1%-100%
	Skylark Contour	CTCL-153P	150W	10%-100%
	Toggler	TG-600P	600W	10%-100%
	Toggler	TOCL-153P	150W	10%-100%
Leviton	Sureslide	6633	600W	10%-100%
	Sureslide Decora	6674	600W	20-100%
	Trimatron	6602	600W	20-100%
	ILLVMATECH	IPL06	600W	1%-100%
Legrand	Adorne	ADTP703TU	700W	20-100%
	Harmony	H703PTW	700W	10%-100%
Cooper	Aspire	9540	1000W	10%-100%
	Devine	DAL06P	300W	10%-100%



5CCT CHANGEABLE

Changeable 2700K/3000K/3500K/4000K/5000K controlled by 5CCT switch

Reference	QTY.	Remarks	Project:
			Location:
			Architect:
			Engineer:
			Contractor:
			Submitted by:
			Date:

ORTECH reserves the right to modify at any time, without notice, any or all of our product's features, designs, components and specifications to meet market changes.