



Optional

- LED/Fluorescent light
- Humidistat
- Motion Sensor
- Speed Controller
- Metal Grille



HIGHLIGHTS

- Ventilating fan should be ceiling mounted and capable of exhausting air quietly and efficiently
- It comes with a capacitor start motor which is known for its high efficiency and long lasting reliability
- It holds an ETL evaluation and is HVI and ENERGY STAR® certified

SPECIFICATIONS

Model	OD-9005PB		OD-1109PB		OD-1209PB		OD-1505PB	
Static Pressure in inches w.g.	0.1	0.25	0.1	0.25	0.1	0.25	0.1	0.25
Air Volume (CFM)	90	67	110	92	120	101	150	115
Noise (sones)	0.5	N/A	0.9	N/A	0.9	N/A	0.5	N/A
Fan Watts	25W	N/A	30W	N/A	30W	N/A	35W	N/A
Duct Diameter	6"							
Power Rating (V/Hz)	120/60							

- Housing Size:**
10-1/2" x 11-3/8" x 7-5/8"
(267 mm x 289 mm x 194 mm)
- Grille Dimensions:**
13" x 14"
(330 mm x 356 mm)
- Fan Weight:**
10.2 lb

HOUSING

- Made of rugged 26 GA galvanized steel
- Includes an attachable 6" non-metallic collar with built-in back draft damper
- Double hanger bar mounting brackets that are adjustable up to 24 inch span allows for ideal positioning

MOTOR / BLOWER

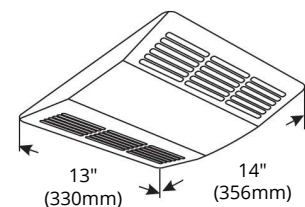
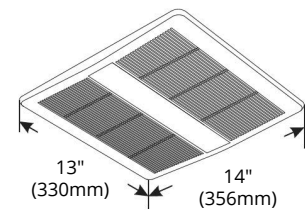
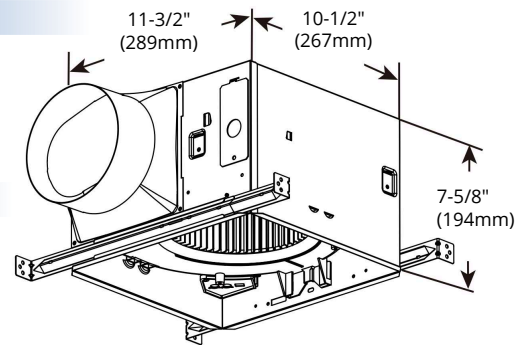
- Plug in permanently lubricated motor — Engineered for continuous operation
- The motor is energy efficient and surpasses the minimum ENERGY STAR® requirements for continuous operation
- Power rating should be 120 volts and 60 Hz
- Fan shall be ETL and cETL listed for tub/shower enclosure when used with GFCI branch circuit
- Motor comes with built-in overload disconnect for safety and longer motor life
- Our Universal series operates at lower RPM's to give you quieter operation
- Polymeric resin Blower for more efficient air transfer and operation

GRILLE

- The Premium grille is low profile that has elegance and still able to maintain its simplicity
- Made of a rugged polymeric resin that is known for its long life durability
- Comes with torsion spring clips that helps mount grille evenly

TYPICAL SPECIFICATIONS

- Ceiling ventilator shall have corrosion resistance galvanized steel housing with 4 point mounting capability
- It shall be ducted to a roof vent or wall cap using 6 inch round pipe
- Blower assembly shall be removable, have a centrifugal type blower wheel and permanently lubricated motor designed for continuous operation
- Includes an attachable 6" non-metallic collar with built-in back draft damper
- Air and sound delivery shall meet the HVI certified ratings as per the fan curves attached
- ORTECH Universal Series Fans come with a permanent split capacitor motor
- ENERGY STAR® Certified

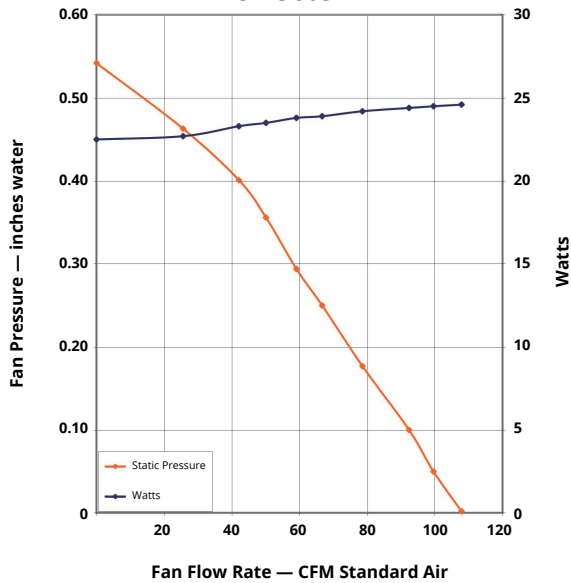


Comes with protective cardboard cover

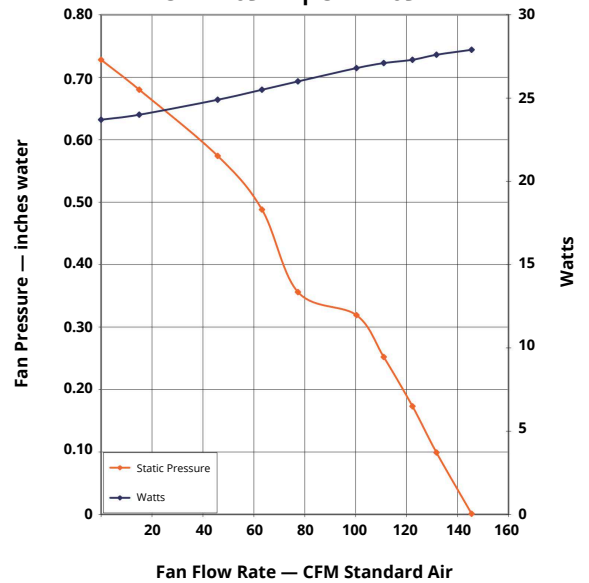
Warranty is voided if the cardboard is removed anytime during construction.

FAN CURVES

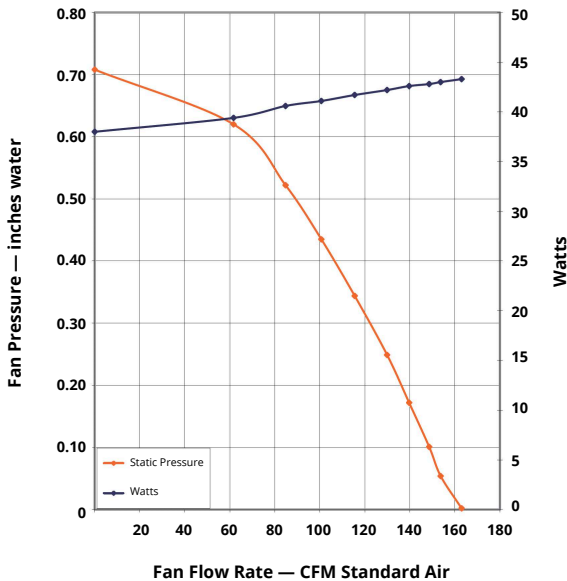
OD-9005PB



OD-1109PB | OD-1209PB



OD-1505PB



Model	Static Pressure (SP)										
	0.685 SP	0.595 SP	0.531 SP	0.481 SP	0.385 SP	0.315 SP	0.249 SP	0.174 SP	0.101 SP	0.000 SP	
OD-9005PB	0.00 CFM	10.9 CFM	21.1 CFM	29.9 CFM	45.2 CFM	56.7 CFM	69.8 CFM	81.9 CFM	92.8 CFM	113.4 CFM	

Model	Static Pressure (SP)										
	0.660 SP	0.585 SP	0.514 SP	0.444 SP	0.366 SP	0.295 SP	0.251 SP	0.178 SP	0.099 SP	0.001 SP	
OD-1109PB	0.00 CFM	34.6 CFM	54.0 CFM	68.1 CFM	81.3 CFM	93.8 CFM	101.6 CFM	110.6 CFM	121.2 CFM	137.7 CFM	

Model	Static Pressure (SP)										
	0.660 SP	0.585 SP	0.514 SP	0.444 SP	0.366 SP	0.295 SP	0.251 SP	0.178 SP	0.099 SP	0.001 SP	
OD-1209PB	0.00 CFM	34.6 CFM	54.0 CFM	68.1 CFM	81.3 CFM	93.8 CFM	101.6 CFM	110.6 CFM	121.2 CFM	137.7 CFM	

Model	Static Pressure (SP)										
	0.619 SP	0.568 SP	0.515 SP	0.459 SP	0.400 SP	0.334 SP	0.249 SP	0.179 SP	0.101 SP	0.000 SP	
OD-1505PB	0.00 CFM	45.7 CFM	70.3 CFM	80.5 CFM	90.1 CFM	104.2 CFM	123.8 CFM	142.3 CFM	161.1 CFM	185.9 CFM	

Reference	QTY.	Remarks	Project:
			Location:
			Architect:
			Engineer:
			Contractor:
			Submitted by:
			Date:

ORTECH reserves the right to modify at any time, without notice, any or all of our product's features, designs, components and specifications to meet market changes.