



Optional

- Metal grille
- Humidistat
- Motion sensor
- Speed controller
- Fluorescent light

HIGHLIGHTS

- Ventilating fan should be ceiling mounted and capable of exhausting air quietly and efficiently
- It comes with a capacitor start motor which is known for its high efficiency and long lasting reliability
- Polymeric resin Blower for more efficient air transfer and operation

SPECIFICATIONS

Model	OD45-9005PB				OD45-1109PB			
Static Pressure in inches w.g.	0.1	0.25	0.1	0.25	0.1	0.25	0.1	0.25
Air Volume (CFM)	90	45	67	15	110	45	100	15
Noise (sones)	0.5	0.4	N/A	N/A	1.1	0.4	N/A	N/A
Fan Watts	25W	16W	23W	14W	30W	16W	29W	14W
Duct Diameter	6"				6"			
Power Rating (V/Hz)	120/60				120/60			

• Housing Size:

10-1/2" x 11-3/8" x 7-5/8"
(267 mm x 289 mm x 194 mm)

• Grille Dimensions:

13" x 14"
(330 mm x 356 mm)

HOUSING

- Made of rugged 26 GA galvanized steel
- Detachable 6" polymeric collar with built-in back draft damper
- Double hanger bar mounting brackets that are adjustable up to 24" span allows for ideal positioning

MOTOR / BLOWER

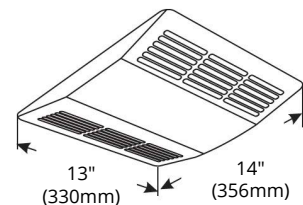
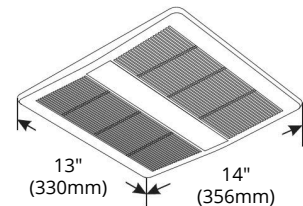
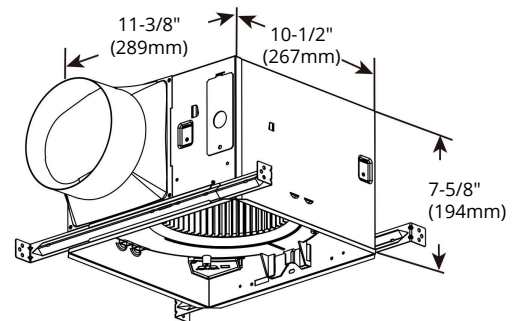
- Power rating should be 120 volts and 60 Hz
- The motor is energy efficient and has continuous duty operation
- Polymeric resin Blower for more efficient air transfer and operation
- Our Premium series operates at lower RPM's to give you quieter operation
- Plug in permanently lubricated motor — Engineered for continuous operation
- Motor comes with built-in overload disconnect for safety and longer motor life
- Fan shall be ETL and cETL listed for tub/shower enclosure when used with GFCI branch circuit

GRILLE

- Comes with torsion spring clips that helps mount grille evenly
- Made of a rugged polymeric resin that is known for its long life durability
- The Premium grille is low profile that has elegance and still able to maintain its simplicity

TYPICAL SPECIFICATIONS

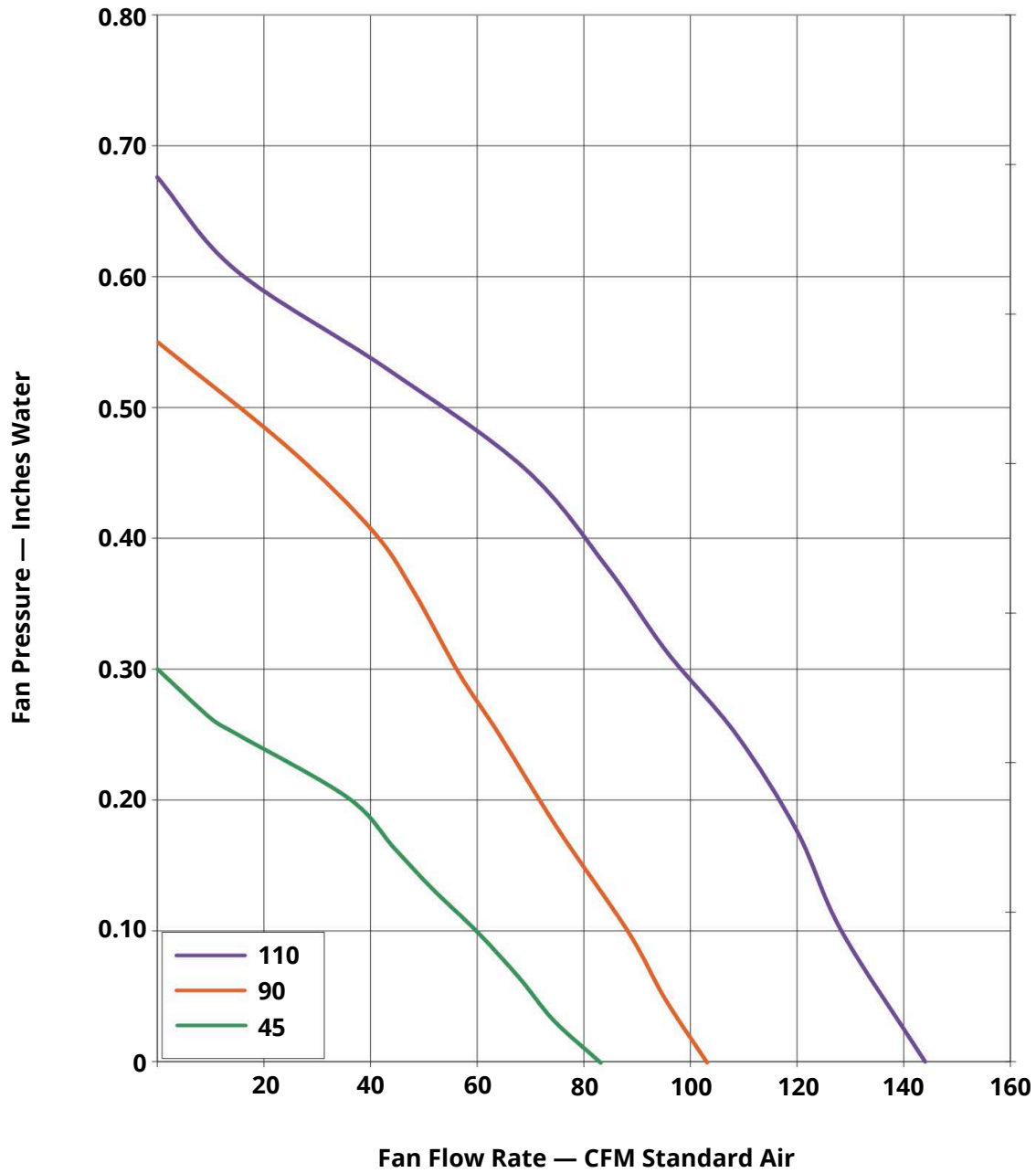
- It shall be ducted to a roof vent or wall cap using 4 inch round pipe
- Includes an attachable non-metallic collar with built-in back draft damper
- Air and sound delivery shall meet the HVI certified ratings as per the fan curves attached
- ORTECH Premium Series Fans come with a permanent split capacitor motor which improves efficiency
- Ceiling ventilator shall have corrosion resistance galvanized steel housing with 4 point mounting capability
- Blower assembly shall be removable, have a centrifugal type blower wheel and permanently lubricated motor designed for continuous operation



Comes with protective cardboard cover

Warranty is voided if the cardboard is removed anytime during construction.

FAN CURVES



Reference	QTY.	Remarks	Project:
			Location:
			Architect:
			Engineer:
			Contractor:
			Submitted by:
			Date:

ORTECH reserves the right to modify at any time, without notice, any or all of our product's features, designs, components and specifications to meet market changes.